

Engineering 80 – Spring 2015  
**Flight Hardware**



# Three Words You Should Know!

**MAKE IT HAPPEN**

# MAKING IT HAPPEN

CNN Money Business Markets Tech Personal Finance

Your Money

## Private colleges with the biggest payoff

Graduates with bachelor's degrees from these private schools see the biggest return on their college investment, according to a report from PayScale.

Recommend 2.2k 1 of 10

### 1. Harvey Mudd College

NEXT



20-year return on investment: \$1,104,500  
Annualized return: 12.6%  
Total 4-year cost of attendance: \$237,700

As a result, grads from this school are often rewarded with high-paying jobs that bring in an average of \$1.1 million more over 20 years than a high school graduate, after subtracting the cost of attendance, according to Payscale.

# Three Words You Should Know!

How does one  
**“MAKE IT HAPPEN”?**

# What's Your Problem Statement?



SOURCE: <http://www.clker.com/cliparts/6/5/b/f/11949864691020941855smiley114.svg.med.png>

# A “ONE-PAGER” ...

- **Problem Statement (or Purpose, or Goal)**
  - The final E80 project needs to be completed to pass the course
- **Success Criteria (envision successfully crossing the finish line)**
  - Design, build, and test a rocket that meets E80 requirements, and submit a final report and give a final presentation
- **Strategies (how are you going to get to that finish line?)**
  - Work as a team to meet all weekly project deliverables
- **Timeline (detailed plan for implementing the strategies)**

Sample  
Timeline for  
Section 2

<u>TASK</u>	<u>Start</u>	<u>End</u>	<u>Status</u>
Meet Week 1 Deliverables	3/12/2015	3/25/2015	In Progress
Meet Week 2 Deliverables	3/25/2015	4/1/2015	Not Started
Meet Week 3 Deliverables	4/1/2015	4/8/2015	Not Started
Meet Week 4 Deliverables	4/8/2015	4/15/2015	Not Started
Meet Week 5 Deliverables	4/15/2015	4/22/2015	Not Started
Meet Week 6 Deliverables	4/22/2015	5/4/2015	Not Started
Give Final Presentation	5/4/2015	5/4/2015	Not Started

# Today We Will Discuss...

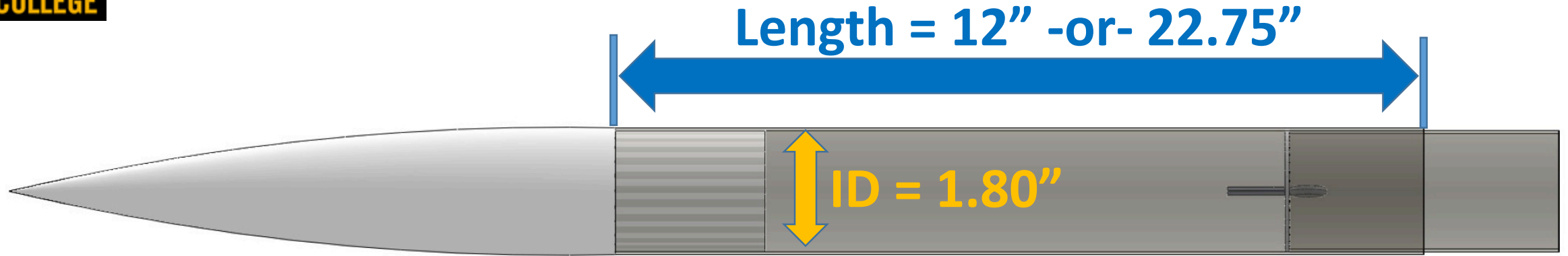
- E80 Rocket Requirements
- Surviving Launch and Recovery
- Rocket Construction
- Deliverables

# E80 Engineering Rocket Requirements

- Payload Dimensions
- Sensor Requirements
- Speed of Response
- Power Requirements
- Acceleration, Shock, and Vibration
- Temperature Profile
- Construction Standards



# Payload Dimensions



• You will be assigned either an...

• Aerotech Arreaux <[.rkt](#)> <[.ork](#)> <[.zip](#)>

- Payload Section ID: 1.80 inches

- Payload Section Length: **12.00 inches**

• Aerotech Barracuda <[.rkt](#)> <[.ork](#)> <[.zip](#)>

- Payload Section ID: 1.80 inches

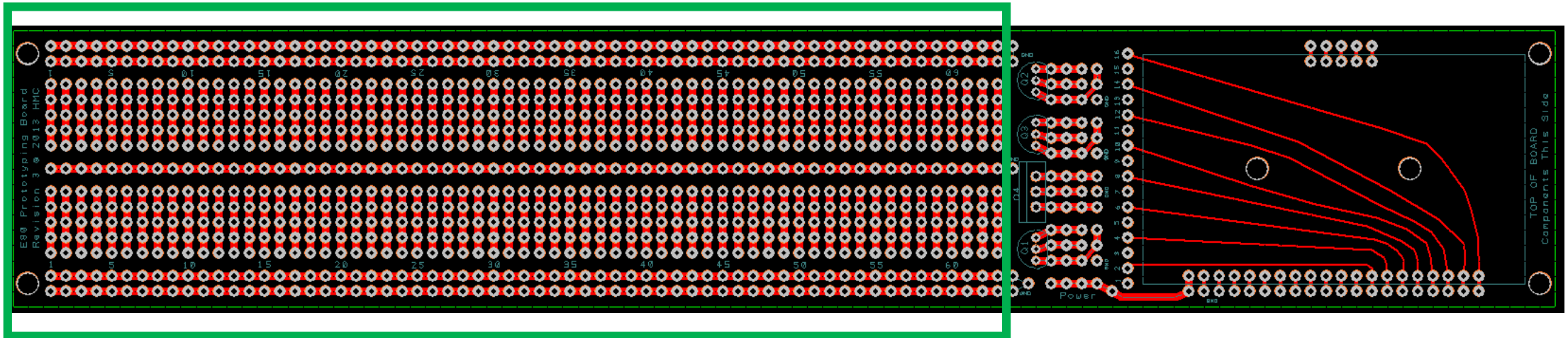
- Payload Section Length: **22.75 inches**

Teams  
1, 3, & 5

Teams  
2 & 4

If you feel you need a rocket different from the assigned, write a proposal explaining the technical reasons and give it to your section Prof.

# Your Precious Payload – The PC Board

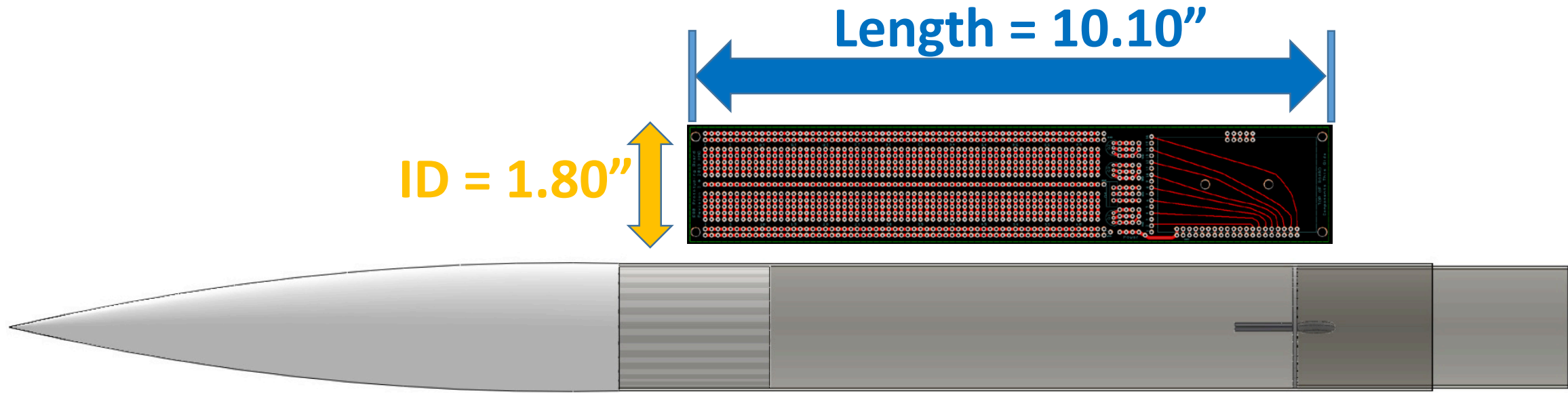


- Top laid out like your protoboard
  - 4 exterior buses slightly closer
  - 1 extra power bus
- Bottom has connectors for a data logger
- 4 Holes for mounting
- 2 holes for mounting battery holder

If it works on your protoboard, then it will work on the PC Board  
Chip for Chip  
Wire for Wire

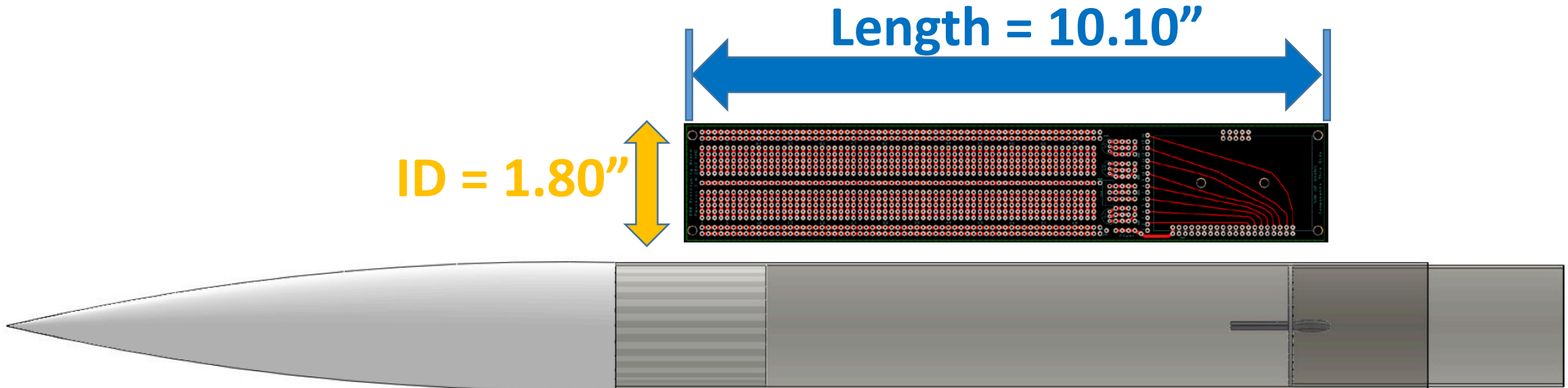
# Payload Sections

- PC board matches Aerotech body tubing diameter
- Arreaux payload section too short
- Barracuda payload section too long
- An Aerotech body tube that fits the PC board will be provided

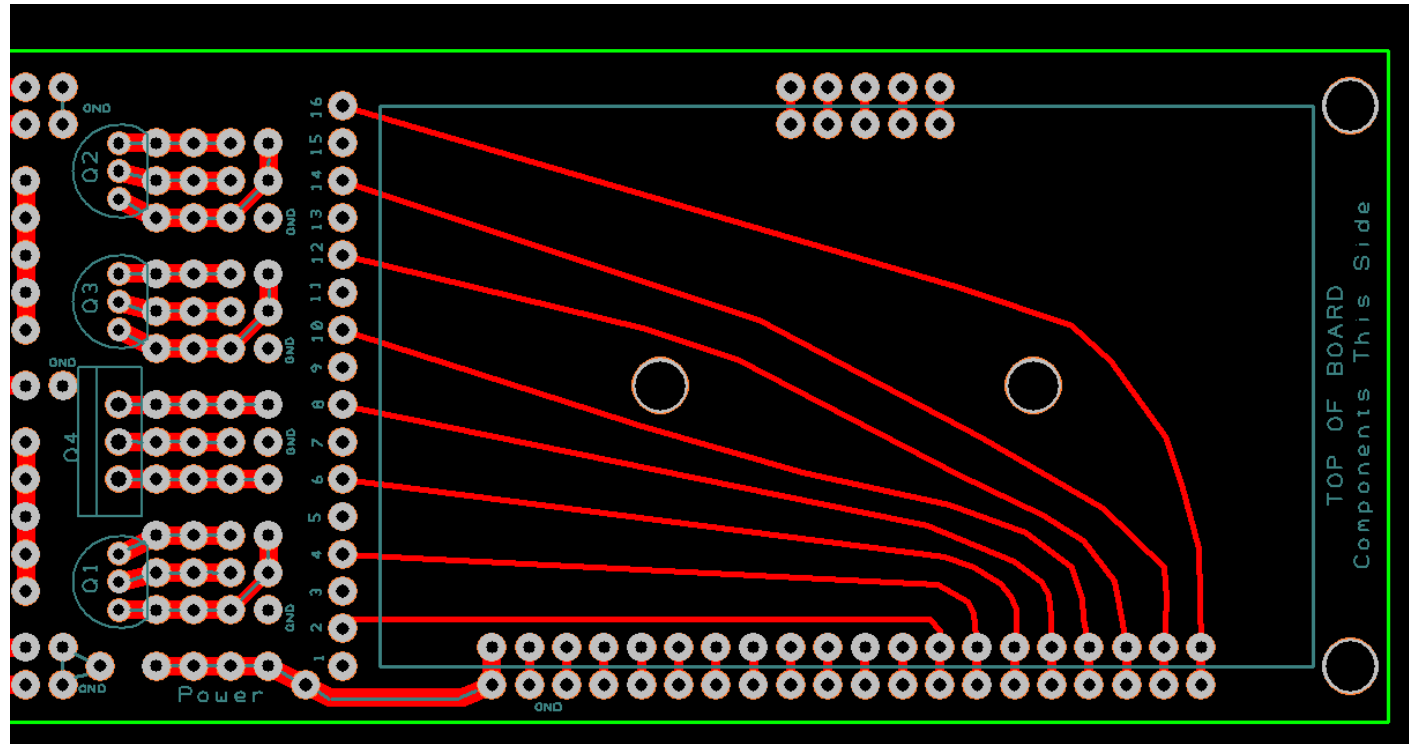


# Data Logging

- How do you acquire and log data in the rocket?



# Your Precious Payload – The PC Board



- Center has place for 5 V regulator + three more
- Regulators can tie common to ground or not
- Bottom has connectors for data logger





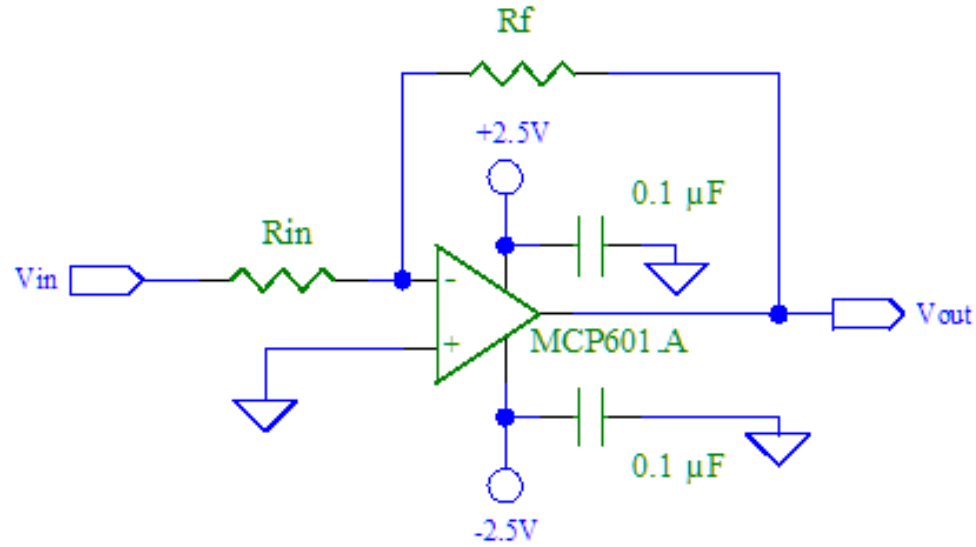
# Single-Sided Circuits

- Data logger expects 0 V to 3.3 V signals
- Classical op-amp circuit power  $\pm 15$  V
- Low-voltage op-amp circuit power
  - $\pm 1.4$  V to  $\pm 3$  V
  - 0-to-2.8 V to 0-to-6 V
- Signal offset
  - Normal signal that goes above and below zero will need DC offset
- Reference offset
- Virtual ground
  - This is where we want all signals referenced
  - **WHAT IS A VIRTUAL GROUND?**



# Inverting Amps

## LOW POWER OP-AMP

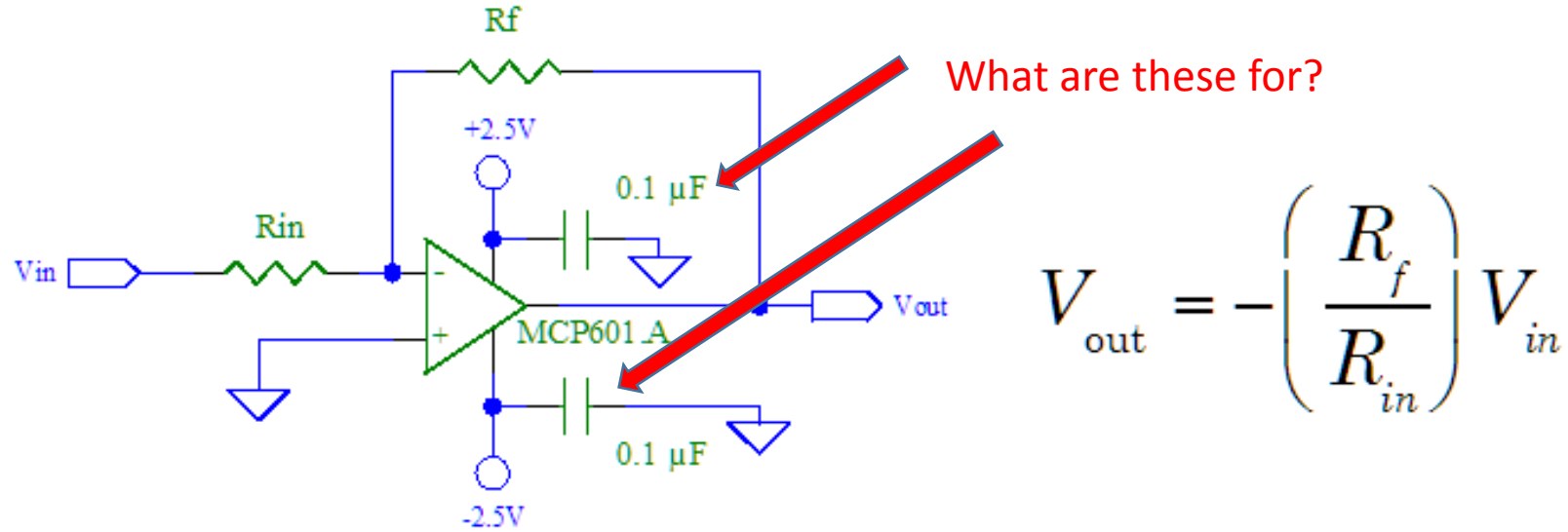


$$V_{out} = - \left( \frac{R_f}{R_{in}} \right) V_{in}$$



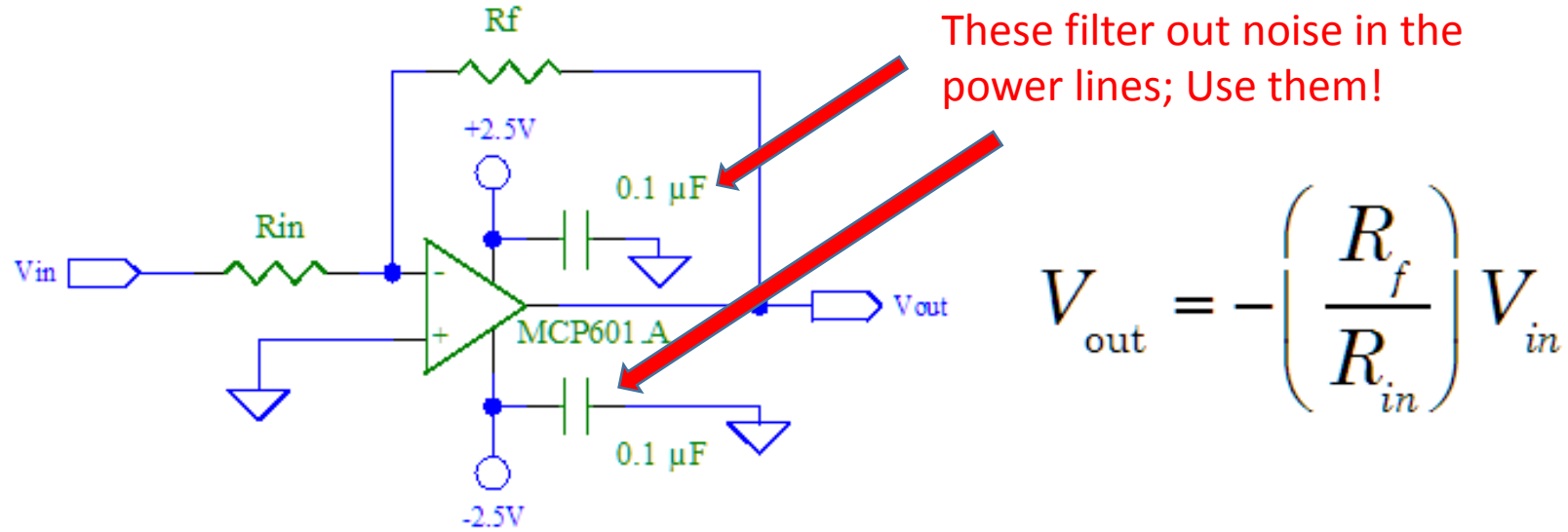
# Inverting Amps

## LOW POWER OP-AMP



# Inverting Amps

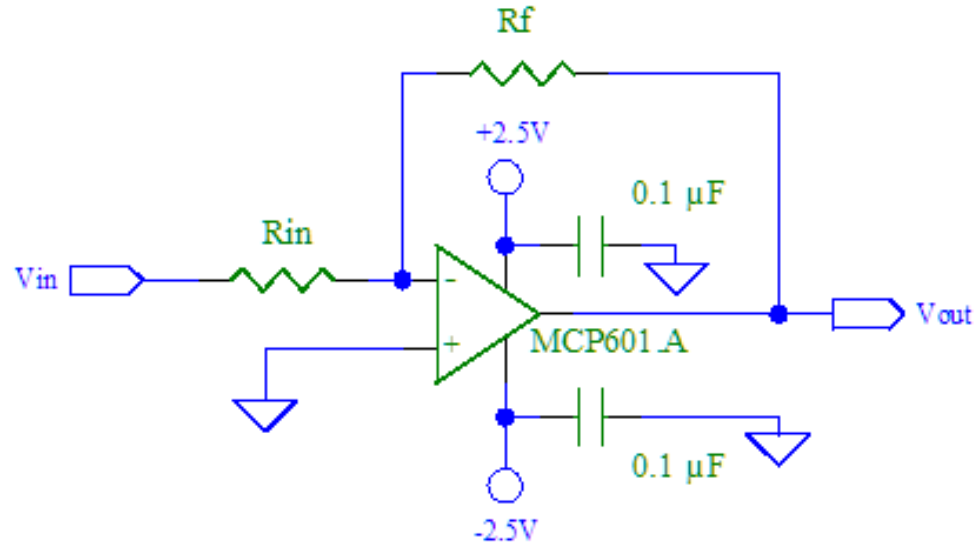
## LOW POWER OP-AMP



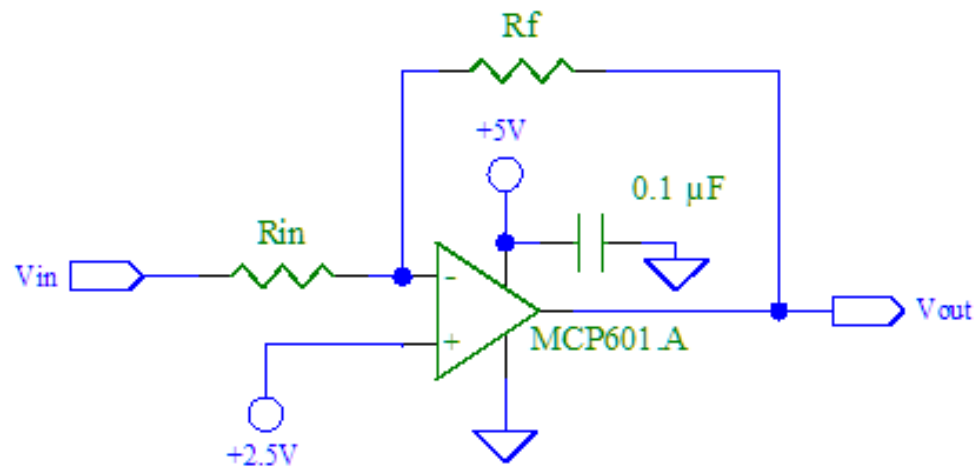
$$V_{out} = - \left( \frac{R_f}{R_{in}} \right) V_{in}$$

# Inverting Amps

## LOW POWER OP-AMP



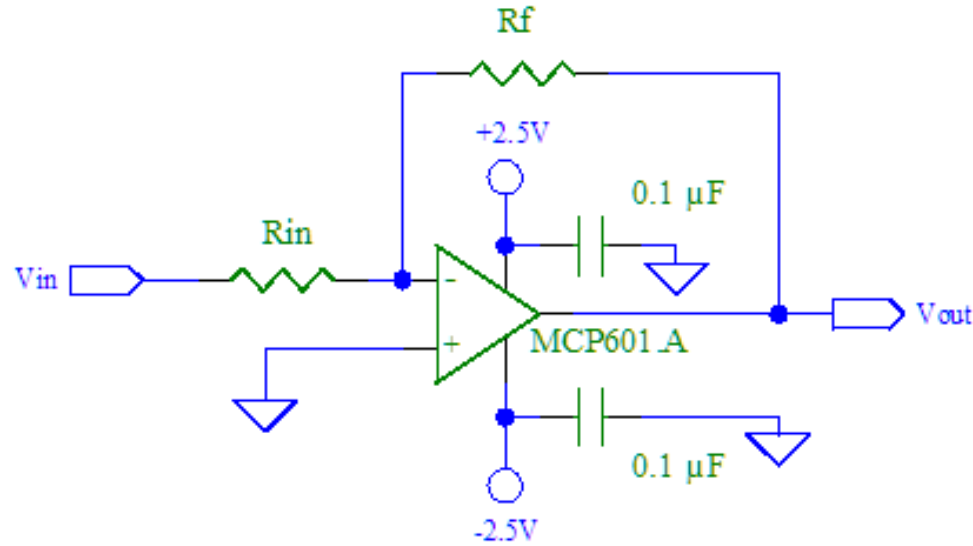
$$V_{out} = -\left(\frac{R_f}{R_{in}}\right) V_{in}$$



$$V_{out} = -\left(\frac{R_f}{R_{in}}\right) V_{in} + 2.5\left(1 + \frac{R_f}{R_{in}}\right)$$

# Inverting Amps

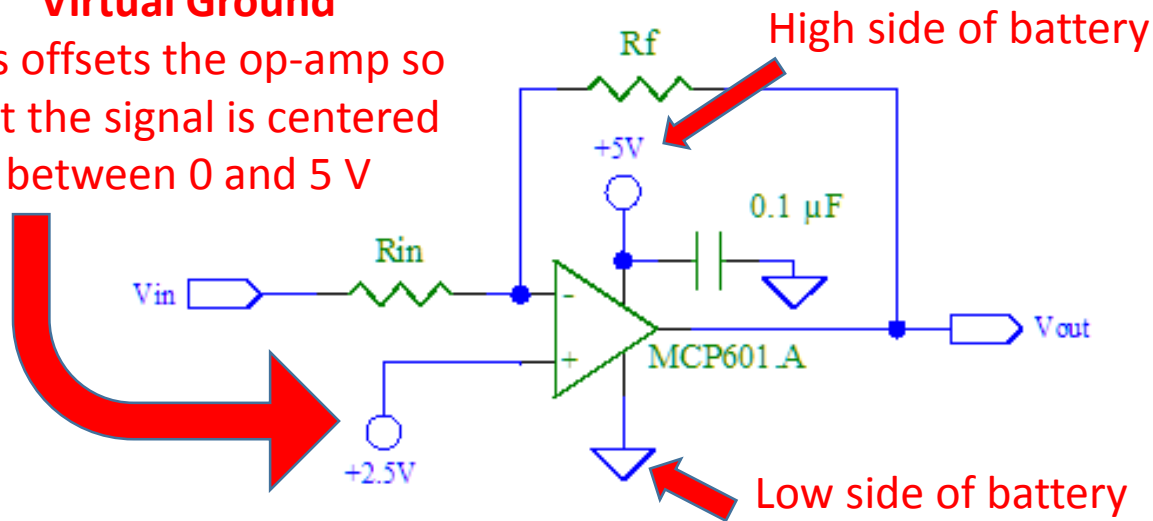
## LOW POWER OP-AMP



$$V_{out} = -\left(\frac{R_f}{R_{in}}\right) V_{in}$$

### Virtual Ground

This offsets the op-amp so that the signal is centered between 0 and 5 V

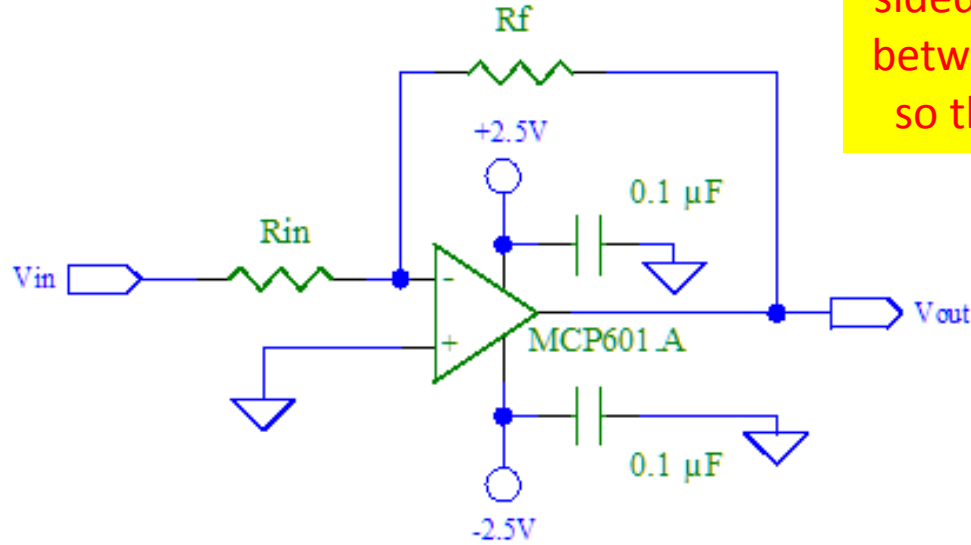


$$V_{out} = -\left(\frac{R_f}{R_{in}}\right) V_{in} + 2.5\left(1 + \frac{R_f}{R_{in}}\right)$$

# Inverting Amps

## LOW POWER OP-AMP

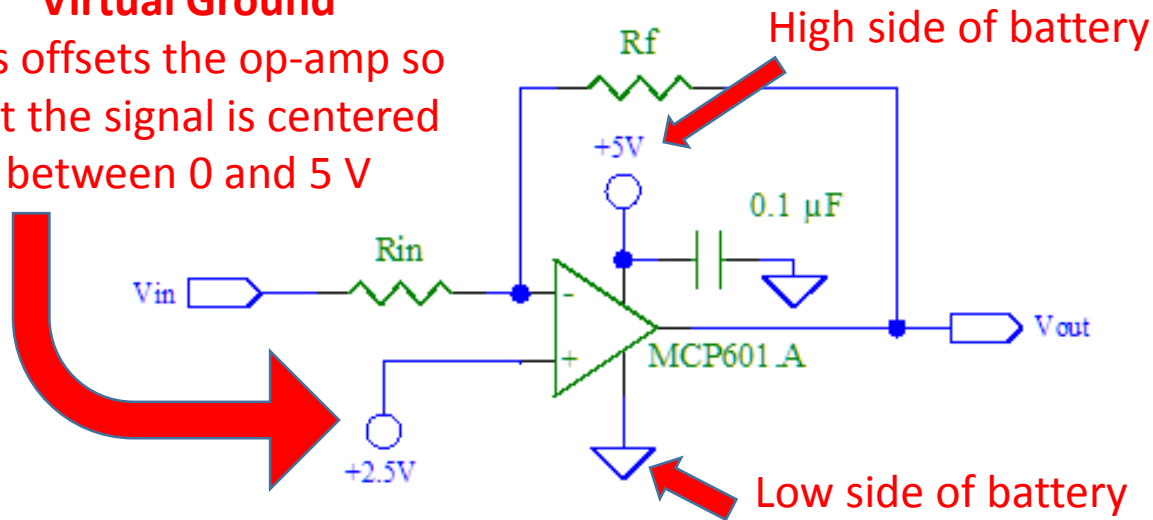
If you are powering your circuit by battery and you have a single sided supply, you need to think of creating a virtual ground halfway between your low and high on your op amp; then offset your signal so that you have your average value in the middle instead of zero



$$V_{out} = -\left(\frac{R_f}{R_{in}}\right) V_{in}$$

### Virtual Ground

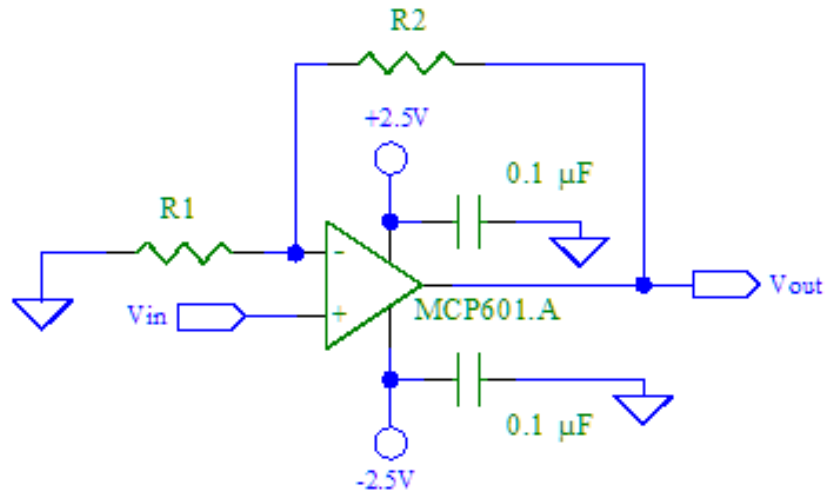
This offsets the op-amp so that the signal is centered between 0 and 5 V



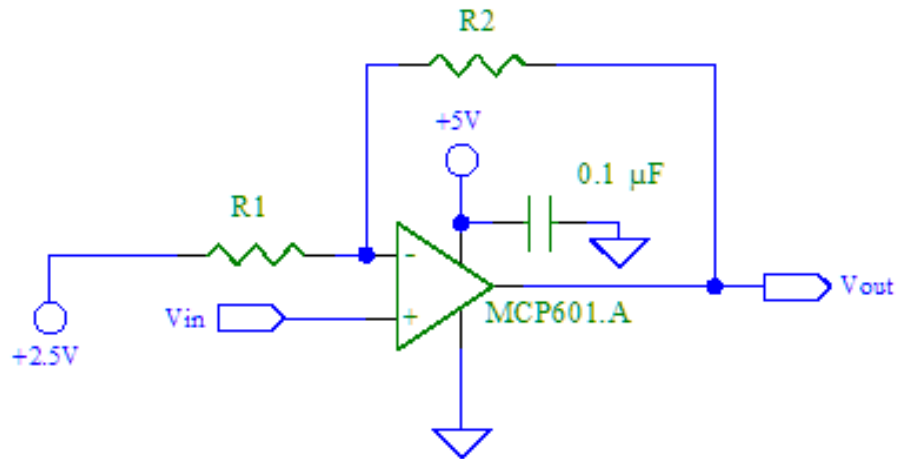
Data logger needs 0 to 3.3 V;  
You could go from 0 to 3.3 V with 1.8 V as center

$$V_{out} = -\left(\frac{R_f}{R_{in}}\right) V_{in} + 2.5\left(1 + \frac{R_f}{R_{in}}\right)$$

# Non-Inverting Amps



$$V_{out} = \left( 1 + \frac{R_f}{R_{in}} \right) V_{in}$$



$$V_{out} = \left( 1 + \frac{R_f}{R_{in}} \right) V_{in} - 2.5 \left( \frac{R_f}{R_{in}} \right)$$

# Scientific vs. Engineering Measurements

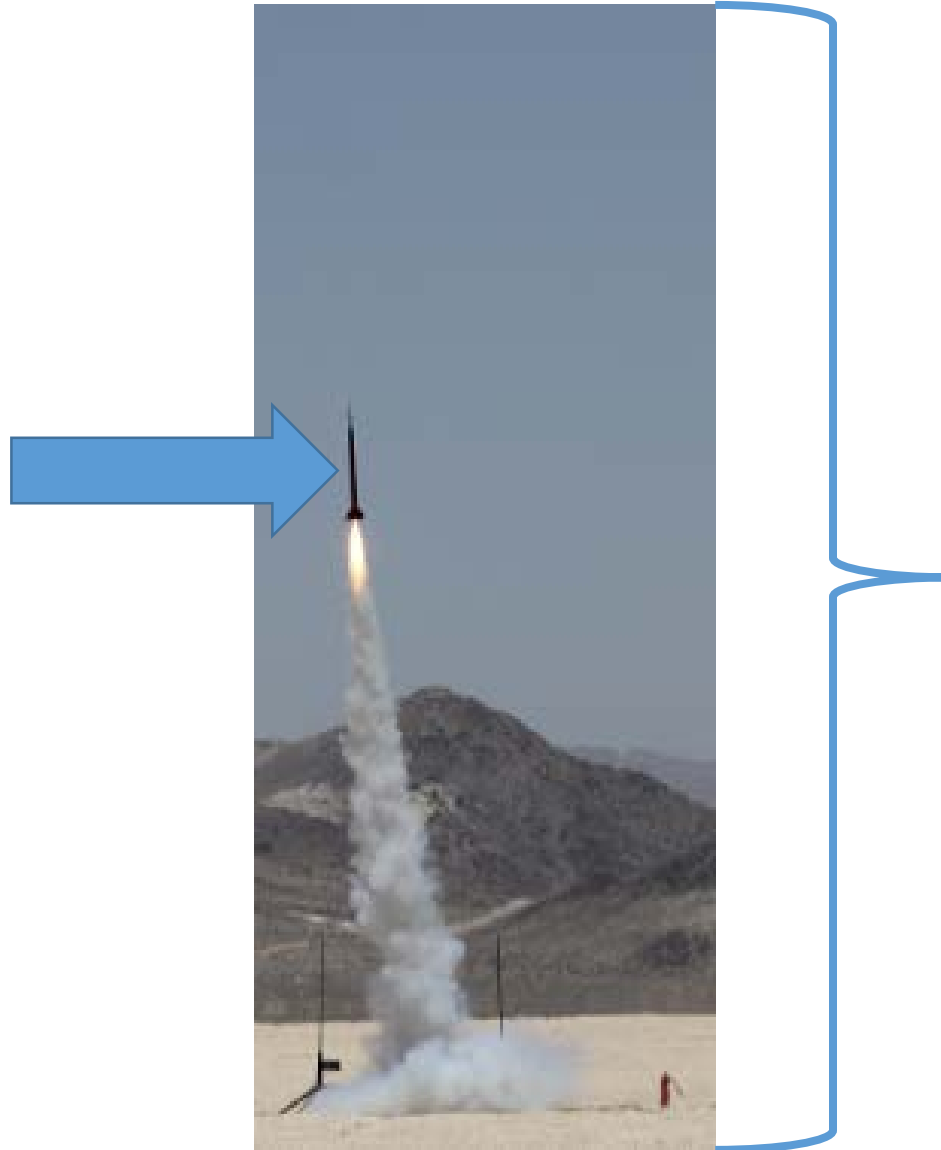
**WHAT'S THE  
DIFFERENCE?**



Flight Hardware

# Scientific vs. Engineering Measurements

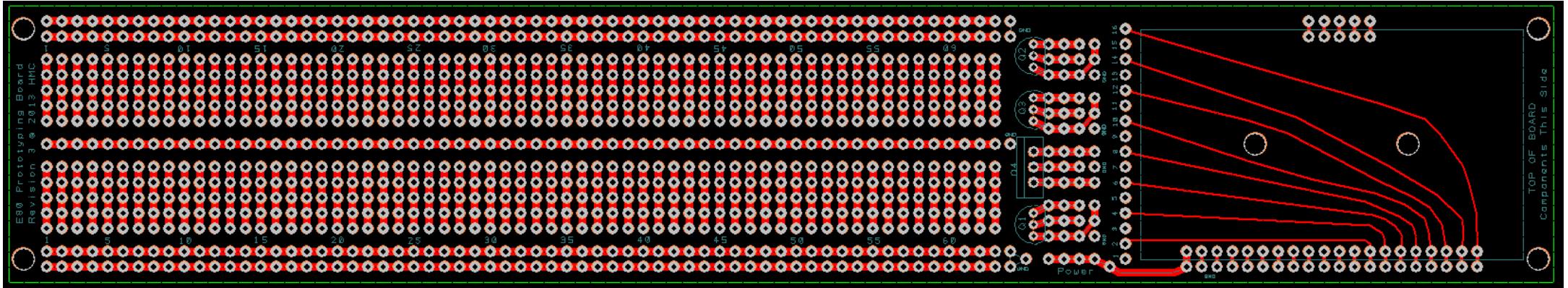
Engineering  
Measurements  
“What you  
measure about  
a rocket.”



Scientific  
Measurements  
“What you  
measure with a  
rocket.”



# Sensor Requirement



- You are required to have a **MINIMUM of 2** types of sensors
  - One thermocouple and one thermistor would count ✓
  - Two thermocouples would **NOT** count ✗

# What Does a PC Board with Sensors Look Like?

**WHERE WOULD I  
FIND THIS?**

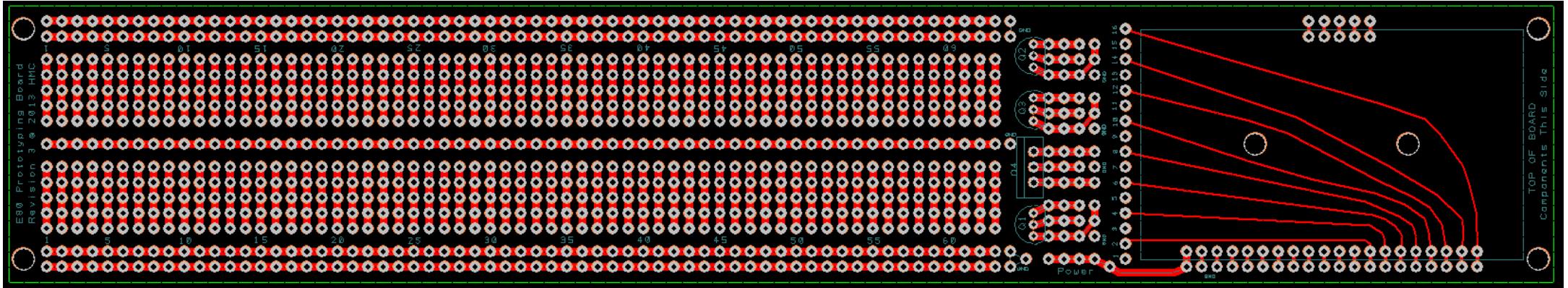
# What Does a PC Board with Sensors Look Like?



SOURCE: [http://www.eng.hmc.edu/NewE80/LargePhotos/KC20120421\\_IMG\\_1658.jpg](http://www.eng.hmc.edu/NewE80/LargePhotos/KC20120421_IMG_1658.jpg)



# Sensor Requirement



- You are required to have a **MINIMUM of 2** types of sensors
  - One thermocouple and one thermistor would count ✓
  - Two thermocouples would **NOT** count ✗

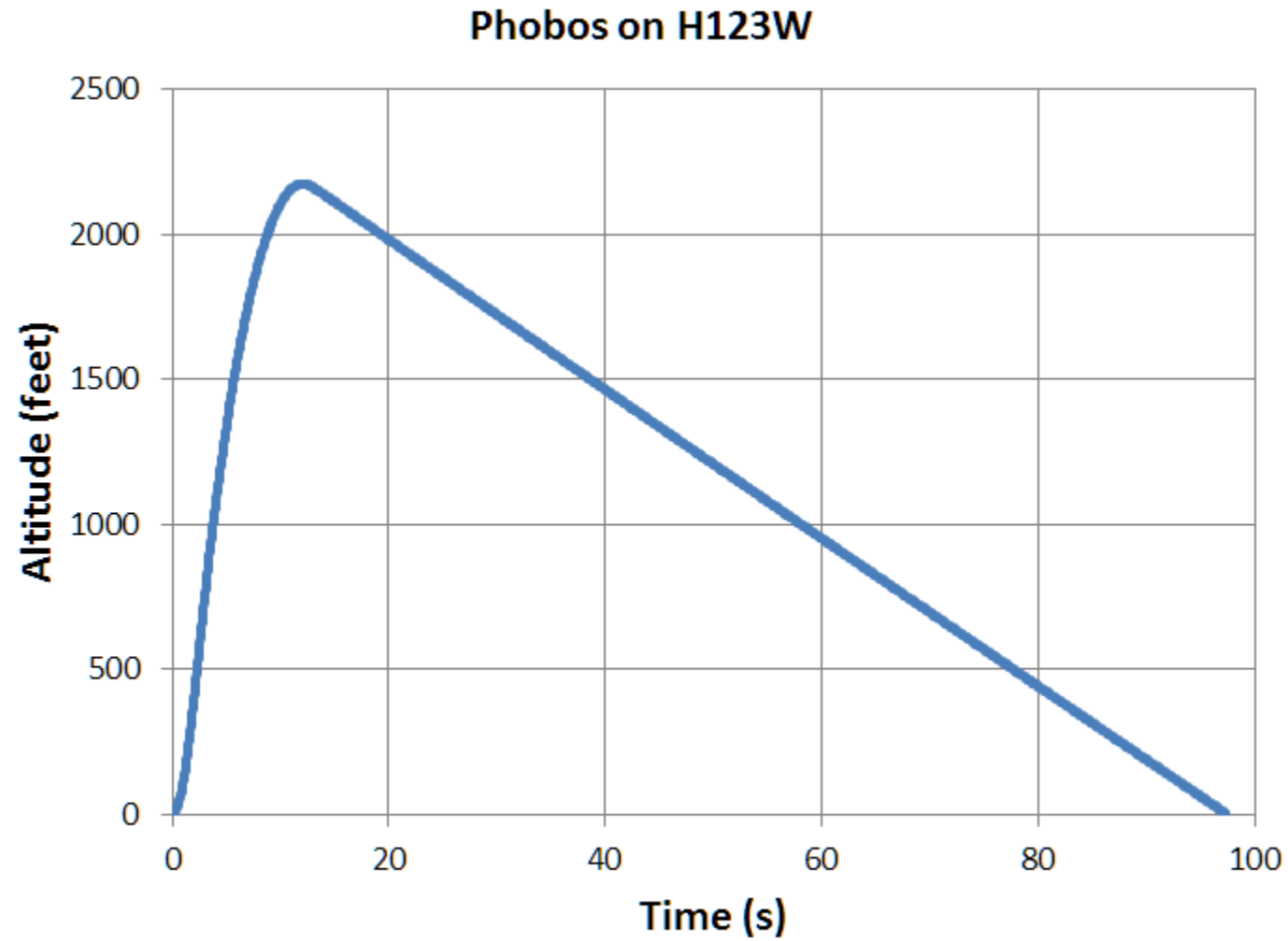


SOURCE: [http://www.eng.hmc.edu/NewE80/LargePhotos/KC20120421\\_IMG\\_1658.jpg](http://www.eng.hmc.edu/NewE80/LargePhotos/KC20120421_IMG_1658.jpg)

# Speed of Sensor Response

- We recommend using...
  - At least one sensor with a time constant faster than 1 ms
    - Bandwidth  $\geq 1$  kHz
  - Sensor adequate:  $\tau_S < 0.1\tau_P$ 
    - The bandwidth of the sensor is 10 times higher than the phenomenon that you want to measure
  - Sensor Needs deconvolution:  $0.1\tau_P < \tau_S < 10\tau_P$
  - Sensor is “Hopeless”:  $\tau_S > 10\tau_P$

# Effect of Temperature Sensor Time Constant



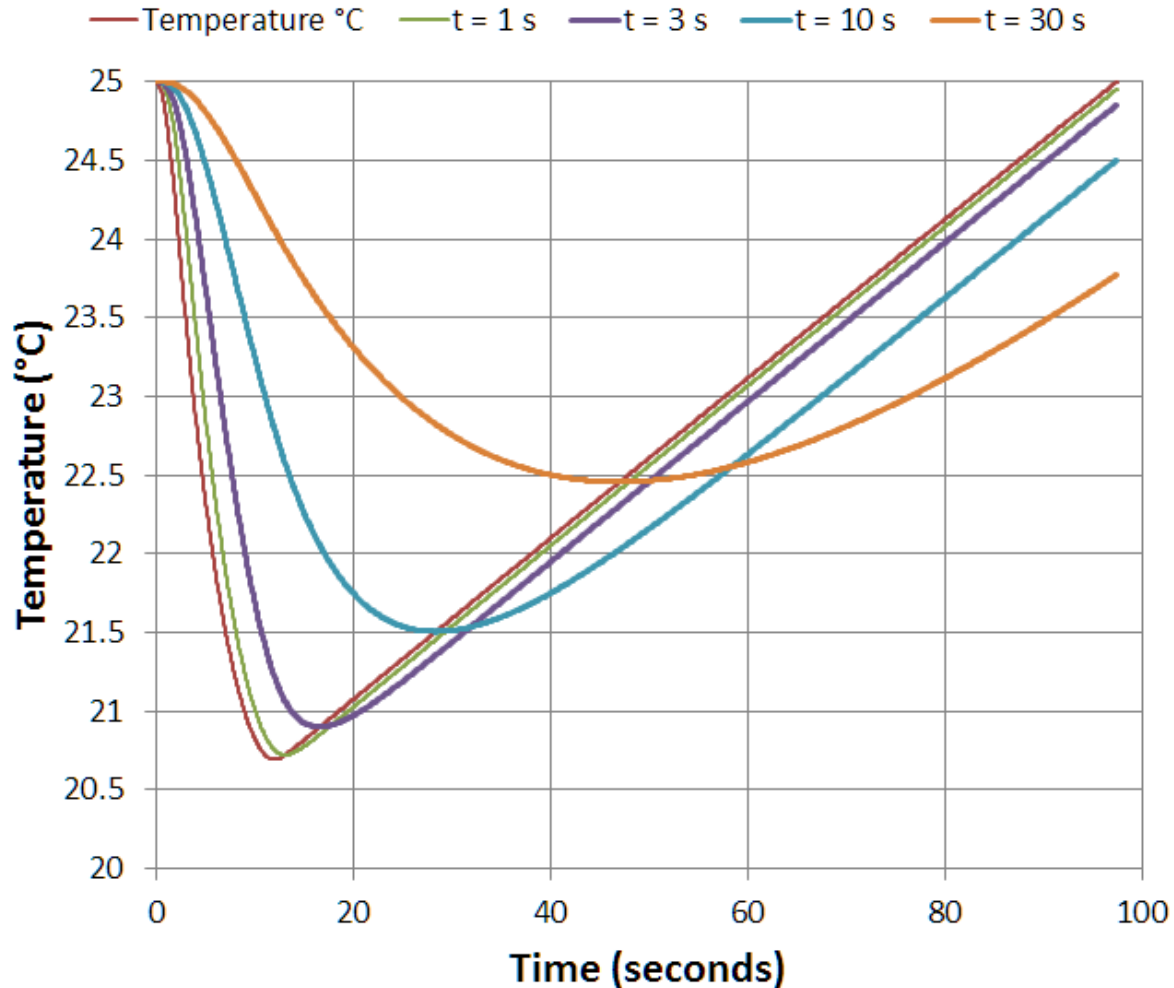
# Temperature Measurement Devices in Lab

	Thermocouple		Thermistor	Integrated Silicon
Temperature Range	-270 to 1800°C		-100 to 450°C	-55 to 150°C
Sensitivity	10s of $\mu\text{V} / ^\circ\text{C}$		several $\Omega / \Omega / ^\circ\text{C}$	Based on technology that is -2mV/°C sensitive
Accuracy	$\pm 0.5^\circ\text{C}$		$\pm 0.1^\circ\text{C}$	$\pm 1^\circ\text{C}$
Linearity	Requires at least a 4th order polynomial or equivalent look up table.		Requires at least 3rd order polynomial or equivalent look up table.	At best within $\pm 1^\circ\text{C}$ . No linearization required.
Ruggedness	The larger gage wires of the thermocouple make this sensor more rugged. Additionally, the insulation materials that are used enhance the thermocouple's sturdiness.		The thermistor element is housed in a variety of ways, however, the most stable, hermetic Thermistors are enclosed in glass. Generally thermistors are more difficult to handle, but not affected by shock or vibration.	As rugged as any IC housed in a plastic package such as dual-in-line or surface outline ICs.
Responsiveness in stirred oil	less than 1 Sec		1 to 5 Secs	4 to 60 Secs
Excitation	None Required		Voltage Source	Typically Supply Voltage
Form of Output	Voltage		Resistance	Voltage, Current, or Digital
Typical Size	Bead diameter = 5 x wire diameter		0.1 x 0.1 in.	From TO-18 Transistors to Plastic DIP
Price	\$1 to \$50		> \$10	\$1 to \$10

# Effect of Temperature Sensor Time Constant

PML Phobos on H123W-M

Effect of Temp. Sensor Time Constant



At standard lapse rate

$\Delta T = -7.8^{\circ}\text{C @ 1200 m AGL}$

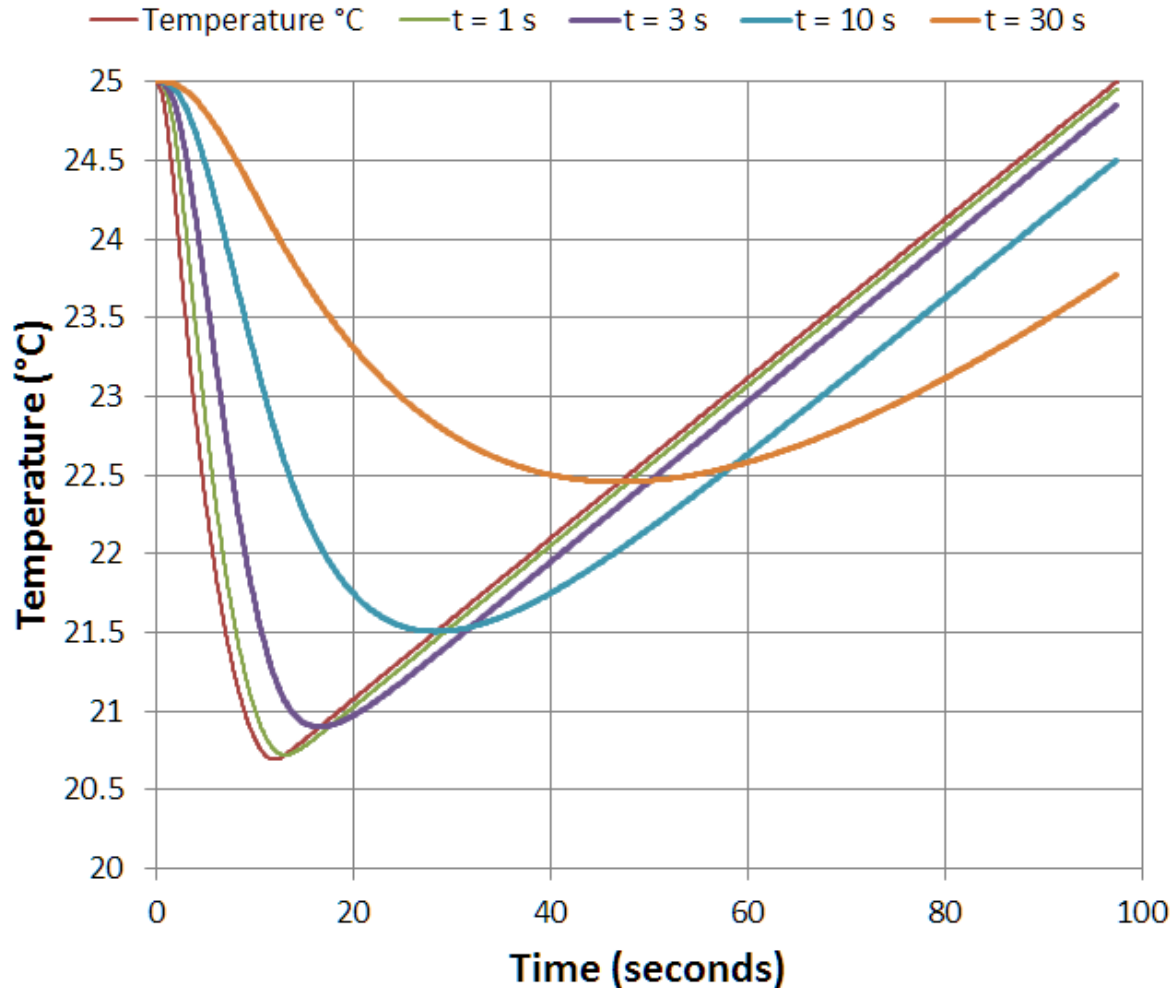
- Temperature drops by  $0.0065^{\circ}\text{C}$  for every meter going up



# Effect of Temperature Sensor Time Constant

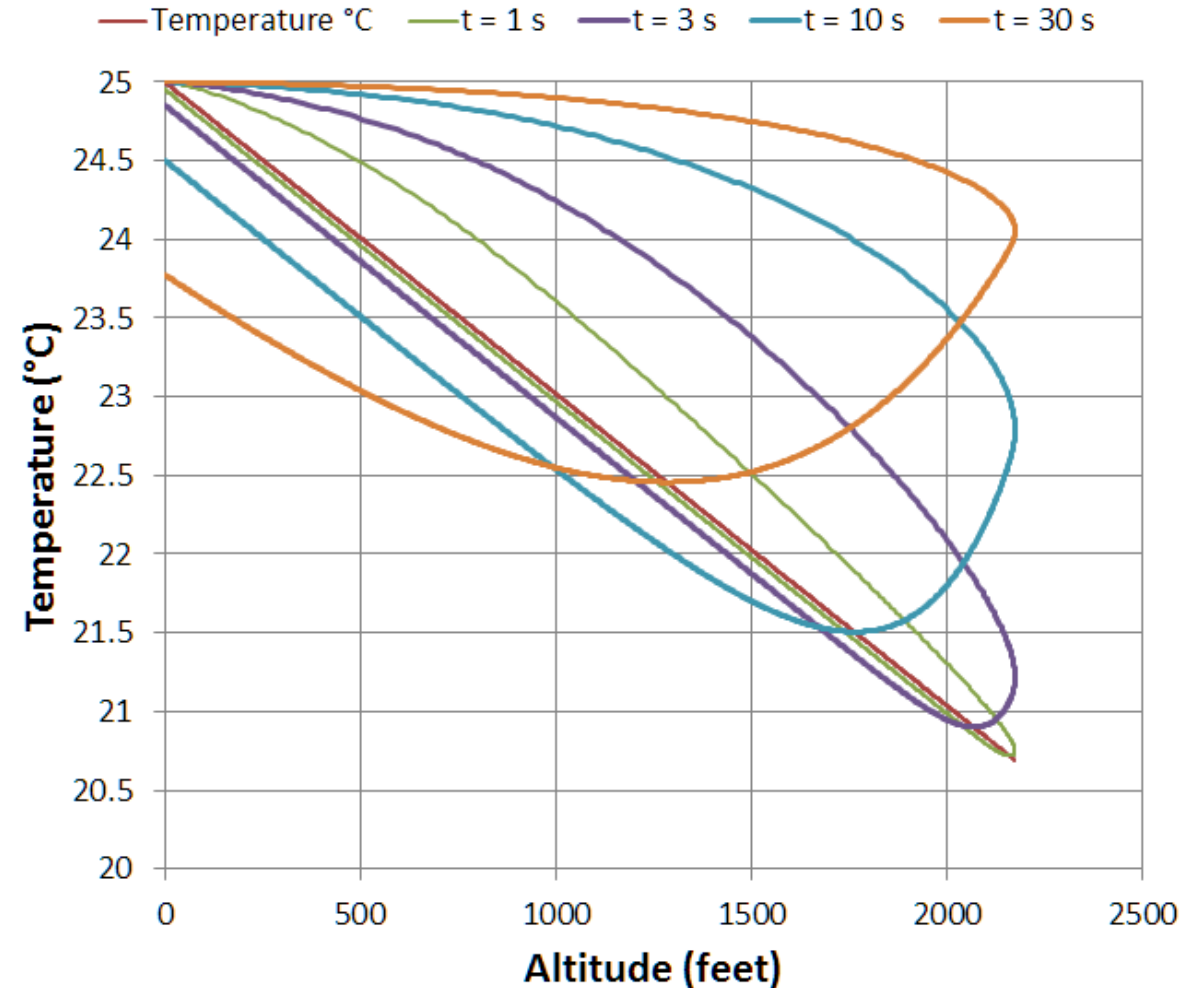
PML Phobos on H123W-M

## Effect of Temp. Sensor Time Constant

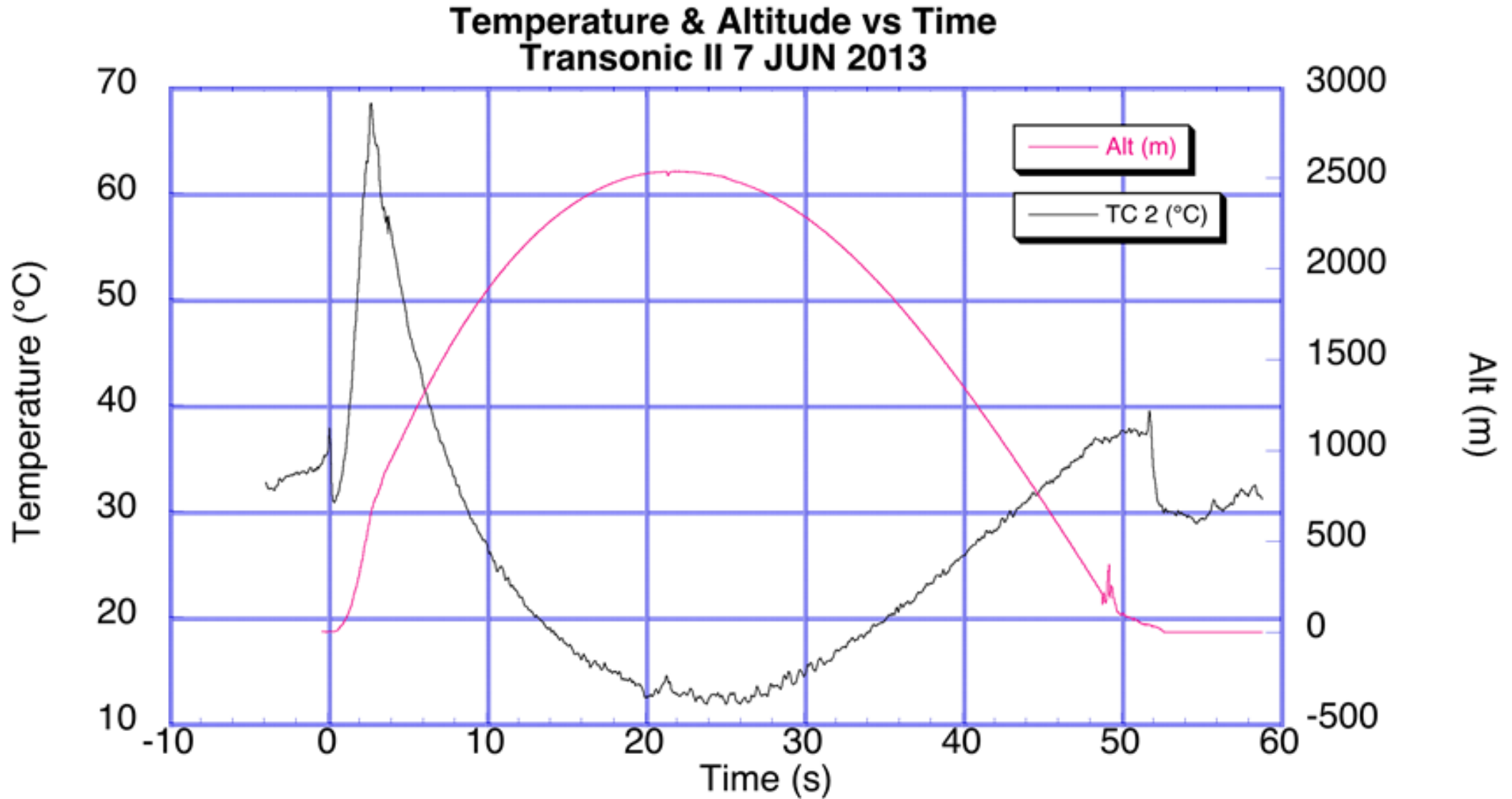


PML Phobos on H123W-M

## Hysteresis of Temp. sensor



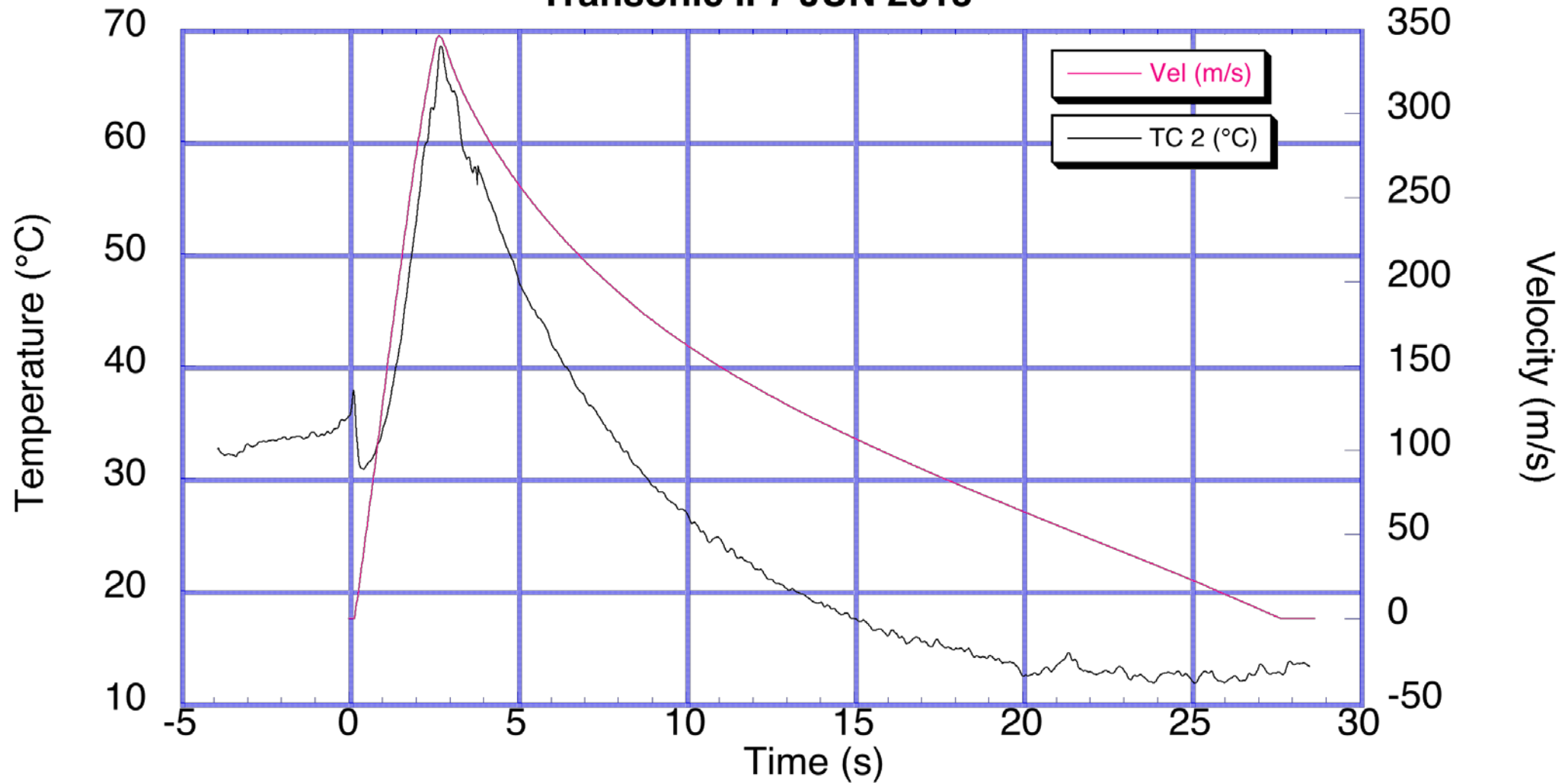
# Actual Data from Sensors



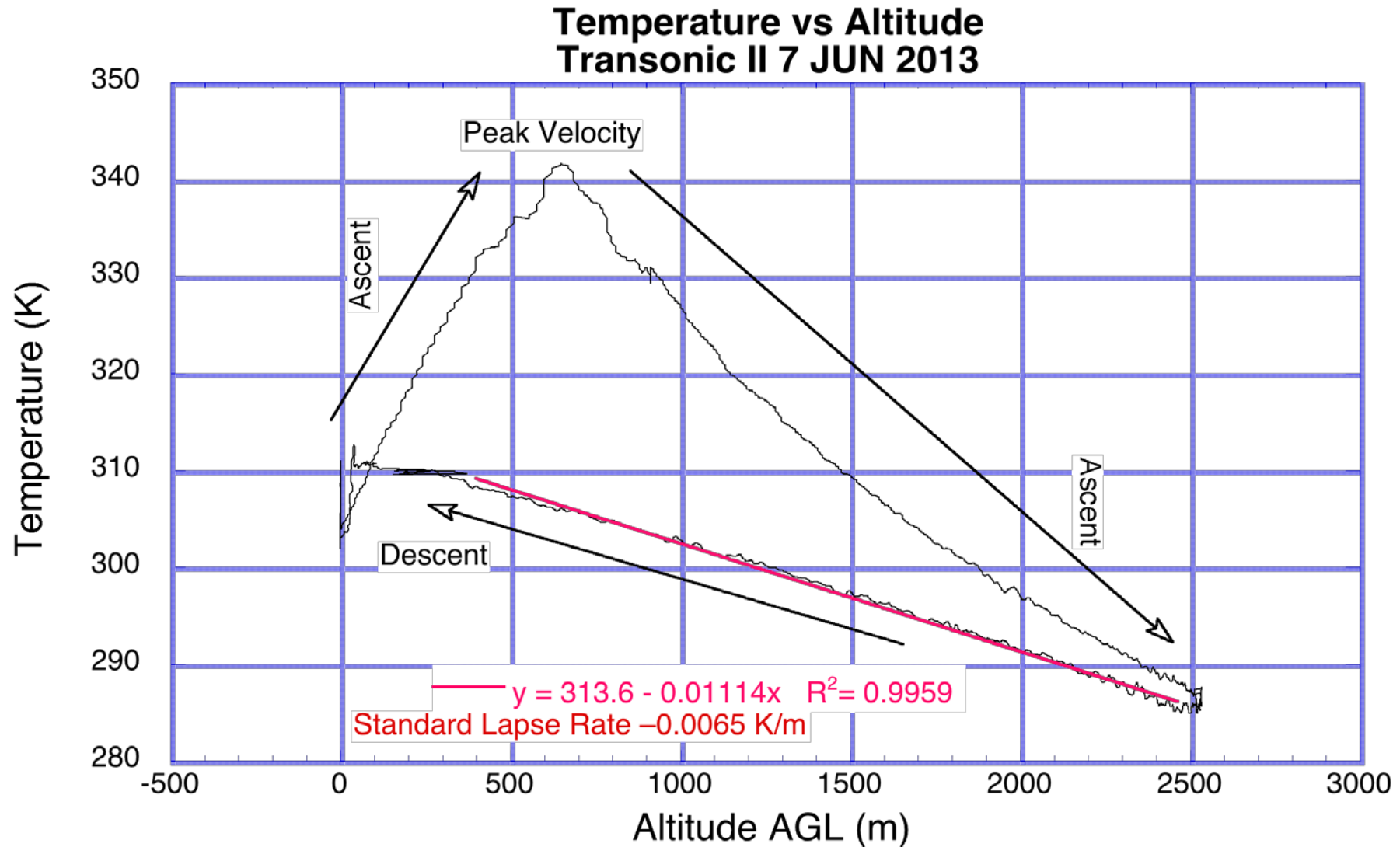
# Actual Data from Sensors

**Speed of Sound = 343 m/s**

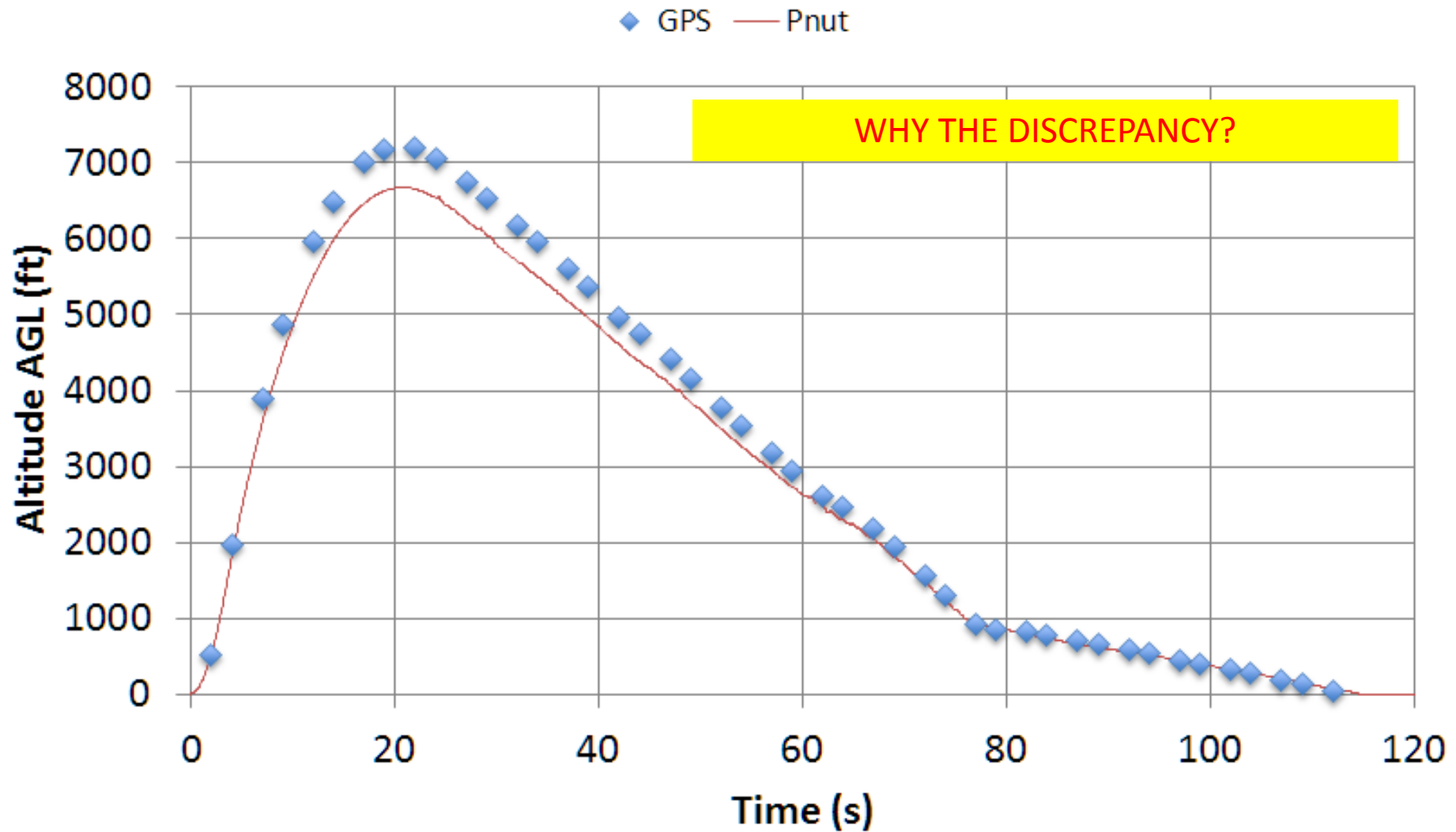
**Temperature & Velocity vs Time  
Transonic II 7 JUN 2013**



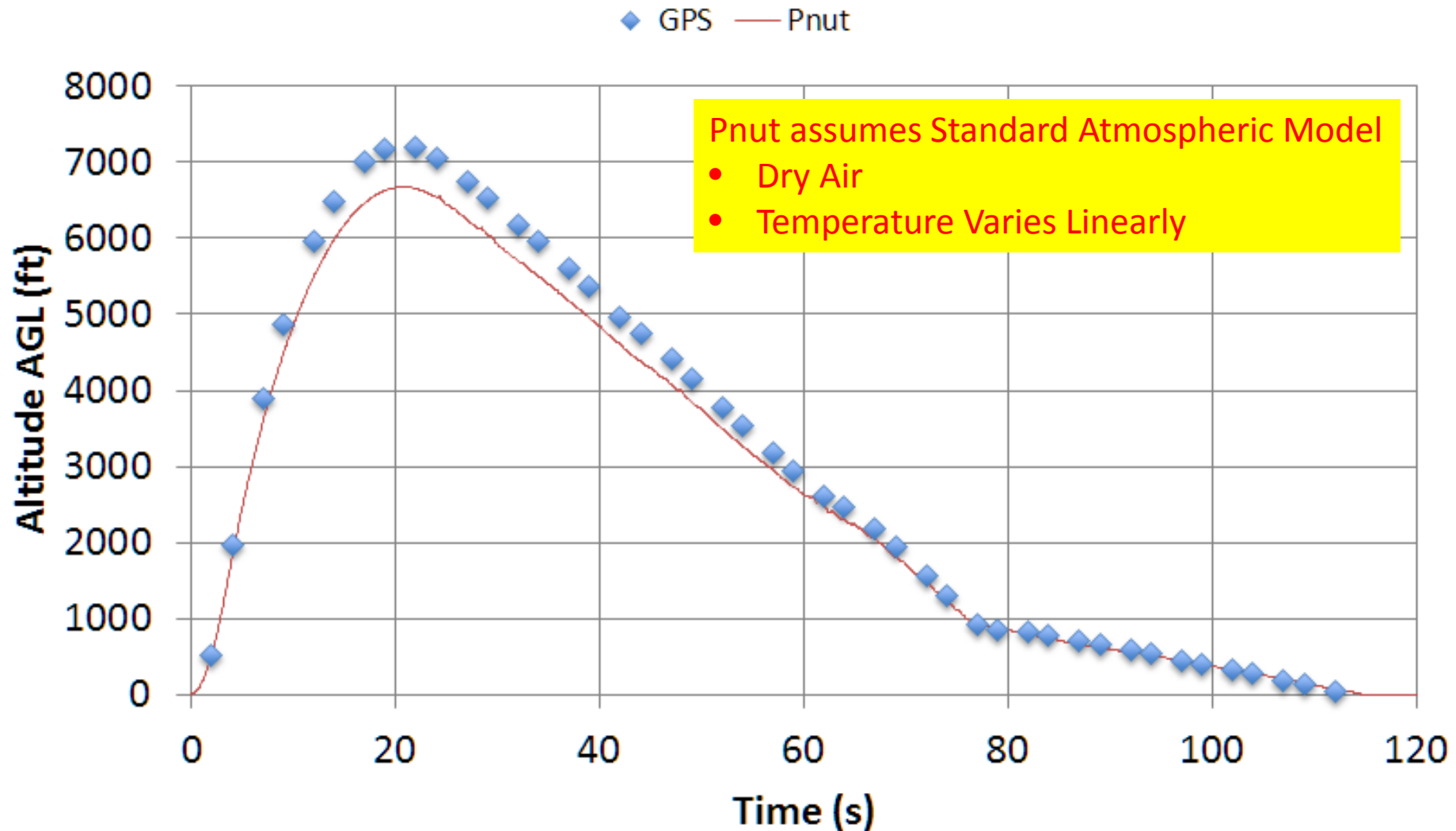
# Actual Data from Sensors



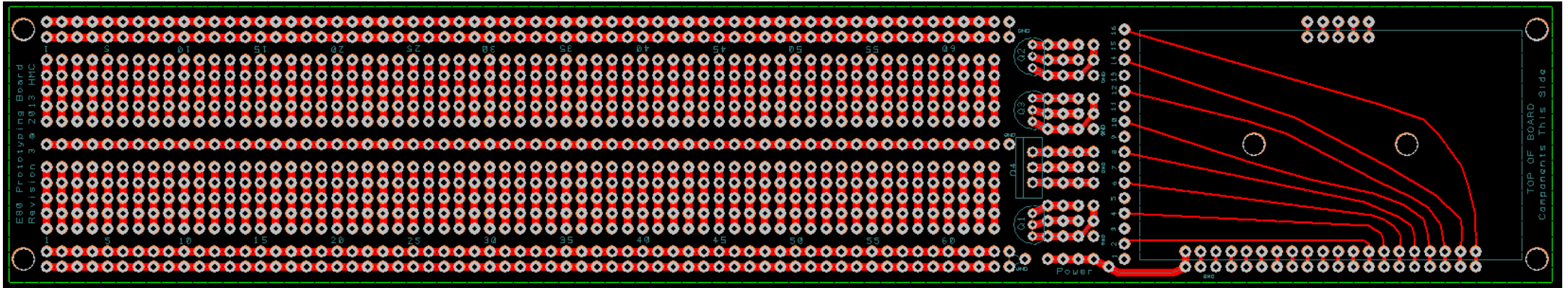
# Actual Data from Sensors



# Actual Data from Sensors

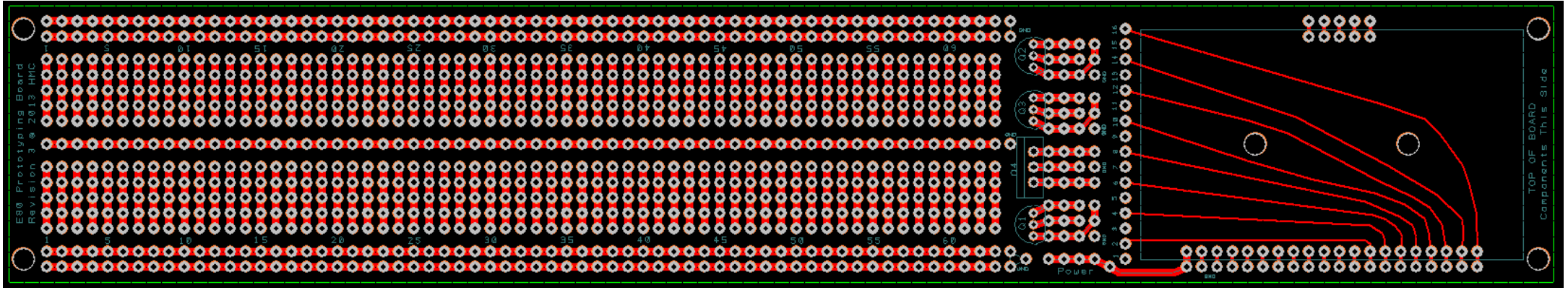


# Sensor Requirement



- You are required to have a **MINIMUM** of 2 types of sensors
  - One thermocouple and one thermistor would count ✓
  - Two thermocouples would **NOT** count ✗
- **WHAT OTHER TYPES OF SENSORS COULD WE USE?**

# Sensor Requirement



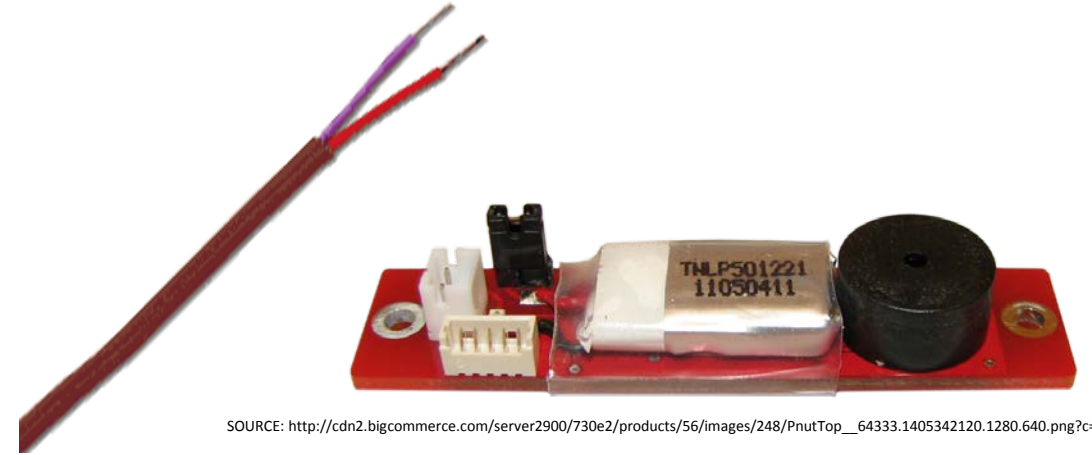
- You are required to have a **MINIMUM** of 2 types of sensors
  - One thermocouple and one thermistor would count ✓
  - Two thermocouples would **NOT** count ✗
- **WHAT OTHER TYPES OF SENSORS COULD WE USE?**
  - Pressure Altimeter
  - Pitot-Static Tube
  - Accelerometer/Rate Gyroscope
  - Gas/Humidity Sensor; Vibration Sensor; Light Sensor



# Sensor Requirements

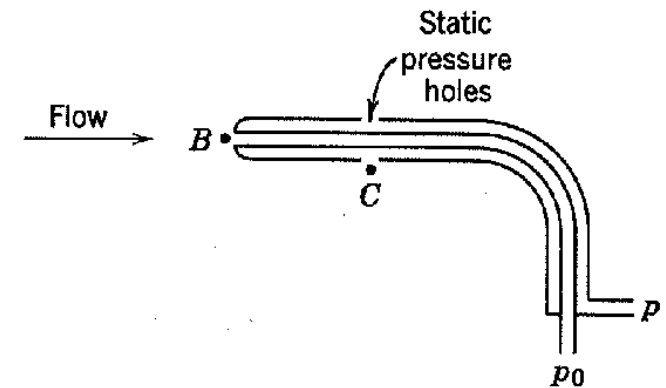
**Your Team has a Budget  
of \$50**

- Air Temperature Sensor
  - Sensor in the free stream
- Pressure Altimeter
  - No flow; 3 or 4 symmetric pressure taps
- Accelerometer/Rate Gyroscope
  - Known fixed orientation
  - Means to deal with baseline and drift
- Pitot-Static Tube
  - Pitot tube in free stream and direction of motion
  - Static Tap should be normal to the flow
    - Preferable 4+ “calibers” (rocket tube diameters) from the nose cone
    - Multiple in symmetric pattern is best



SOURCE: [http://cdn2.bigcommerce.com/server2900/730e2/products/56/images/248/PnutTop\\_\\_64333.1405342120.1280.640.png?c=2](http://cdn2.bigcommerce.com/server2900/730e2/products/56/images/248/PnutTop__64333.1405342120.1280.640.png?c=2)

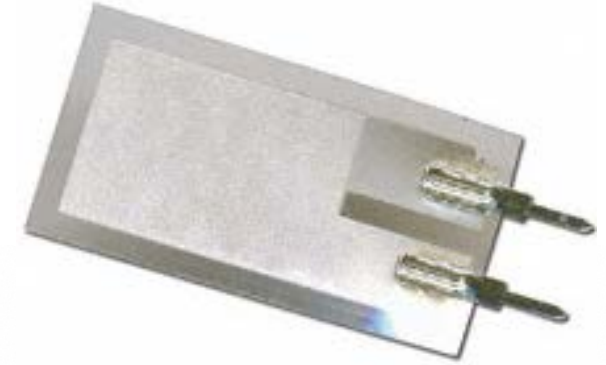
SOURCE: [http://www.ipscustom.com/ProdImages/Wire\\_E\\_tt\\_pp\\_m.gif](http://www.ipscustom.com/ProdImages/Wire_E_tt_pp_m.gif)



SOURCE: [http://web.stanford.edu/class/me220/data/lectures/lect05/static\\_probe.gif](http://web.stanford.edu/class/me220/data/lectures/lect05/static_probe.gif)

# Sensor Requirements

- Light Sensor
  - Proper orientation and view field
- Vibration Sensor
  - Best on anti-node; avoid node
  - Not for DC strain
- Gas Humidity Sensor
  - Gas flow to sensor is desired
- Particle/Dust Sensor
  - Gas flow through sensor
  - If optical, reduce or eliminate background light
  - Often needs pulse train



SOURCE: <http://www.digikey.com/product-search/en?vendor=0&keywords=605-00004-ND>



SOURCE: <http://www.digikey.com/product-detail/en/HH-5030-001/480-3294-1-ND/2061078>



SOURCE: <http://www.digikey.com/product-detail/en/GP2Y1010AU0F/425-2068-ND/720164>

# Sensor Placement

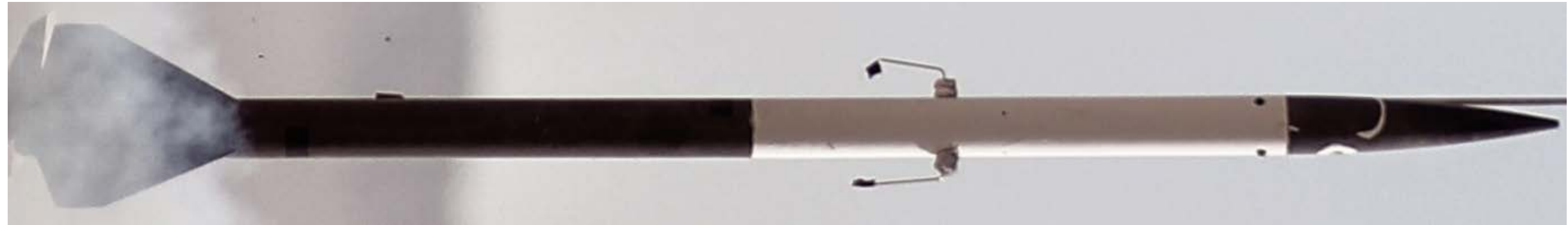
- Sensors need to be placed in locations where a measurement is desired
- Easiest in Payload Section
- Next easiest in Nosecone
- Ports/Channels to rout to exterior
- Don't forget separation for recovery
  - Can run (very long) wires through shock cord
  - Can make connector that separates at recovery
  - Can have separate sections



# What Does a Rocket with Sensors Look Like?

**WHERE WOULD I  
FIND THIS?**

# What Does a Rocket with Sensors Look Like?



SOURCE: [http://www.eng.hmc.edu/NewE80/LargePhotos/20140419\\_E80-FirstLaunch\\_SMM\\_341.jpg](http://www.eng.hmc.edu/NewE80/LargePhotos/20140419_E80-FirstLaunch_SMM_341.jpg)

# Video Camera

- Battery charged by USB
- 40 minute battery time on full charge
- Creates 720P .mov file on microSD
- 10 minutes per 1 GB
  - On 16 GB card will run out of battery before storage
- Physical Mounting
  - Method
    - Duct tape? Electrical tape?
  - Location
    - Center of pressure?
  - Field of View





# Power Requirements

- Power Inputs
  - Data Logger: 6 V to 20 V
  - IMU: 5 V (regulated) & 3 V to 3.3 V (regulated)
  - AD623AN: 3 V to 12 V or  $\pm 1.5$  V to  $\pm 6$  V
  - MPC 60XX: 2.7 V to 6 V
  - Other sensors – TBD
- Must measure current draw of final circuit
- Batteries must power for 1 hour minimum
 

**Battery capacity (in mAh) / Average current consumption (in mA) = Hours of expected runtime**
- Turn on before launch, stay on during flight, turn off after recovery.

# Power Sources

**Your Team has a Budget of  
\$50**

- Power sources
  - 9 V lithium, 750 mAh
  - 1.5 V
    - AAA Alkaline, 1000 mAh; Lithium, 1200 mAh
    - AA Alkaline, 2700 mAh; Lithium, 3000 mAh
  - 12 V (NEDEA- 1811A), 55 mAh
  - LiPo (Rechargeable, High Power Density, Special Charger, HazMat)
    - 3.7 V, up to 5000 mAh
    - 7.4 V, up to 5000 mAh
    - 11.1 V, up to 5000 mAh
  - NiMH (Rechargeable)
  - NiCd (Rechargeable)
- **Your team will decide on which power source to use**



# Surviving

- What does your rocket have to survive during launch?

**BE THE ROCKET**



# Temperature

## 1) Temperature at Launch

- Often  $-2^{\circ}\text{C}$  at 6 AM
- Solar heating of payload section to  $50^{\circ}\text{C}+$
- At standard lapse rate  $\Delta T = -7.8^{\circ}\text{C} @ 1200 \text{ m AGL}$ 
  - Temperature drops by  $0.0065^{\circ}\text{C}$  for every meter going up



### Standards for Parts

Commercial Grade:  $0^{\circ}\text{C}$  to  $70^{\circ}\text{C}$

Industrial Grade:  $-40^{\circ}\text{C}$  to  $85^{\circ}\text{C}$

Military Grade:  $-55^{\circ}\text{C}$  to  $125^{\circ}\text{C}$

# Acceleration

## 2) Acceleration

- From motor, 6g to (50+)g
- Use RockSim or OpenRocket to estimate



# Vibration

## 3) Vibration (**What causes vibration?**)

**BE THE ROCKET**

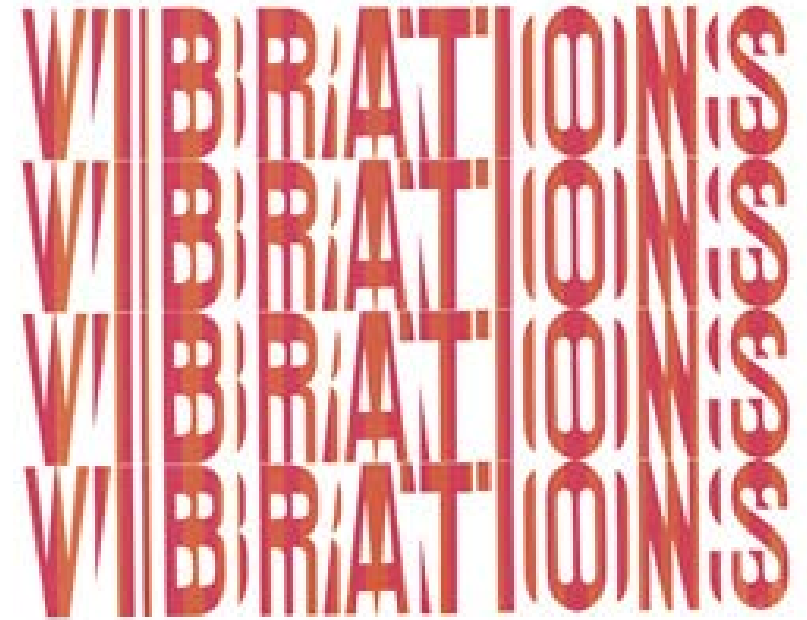
# Vibration

## 3) Vibration (**What causes vibration?**)

- From motor
- From aerodynamics
- From shock impulse

Amplified at resonant frequencies

Use viscoelastic damping materials



SOURCE: <http://www.sorbothane.com/blog/wp-content/uploads/2010/07/engine-vibrations.jpg>

# Shock

## 4) Shock (**What causes shock?**)

**BE THE ROCKET**

# Shock

## 4) Shock (**What causes shock?**)

- Deployment charge, 2 g to 20+ g
- From parachute, 1 g to 50+ g
- From ballistic landing, 200+ g



ENGINEERING 80



Flight Hardware

# Surviving

- What does your rocket have to survive during launch?
  1. Temperature
  2. Acceleration
  3. Vibration
  4. Shock





# Constructing Your Rocket

- NAR or TRA safety Code is mandatory.
- **Materials:** I will use only lightweight materials such as paper, wood, rubber, plastic, fiberglass, or when necessary ductile metal, for the construction of my rocket.
- **Motors:** I will use only certified, commercially made rocket motors, and will not tamper with these motors or use them for any purposes except those recommended by the manufacturer. I will not allow smoking, open flames, nor heat sources within 25 feet of these motors.

# Constructing Your Rocket

- Adhesives must be used under fume hood, in spray-paint booth, or outdoors.
- Neoprene gloves required. Eye protection required
- G10 Fiberglass (PML fins) must be wet sanded or with full respiratory protection. Neoprene gloves strongly recommended.
- No sharp implements permitted when removing plastic rivets.
- Spray painting only permitted in paint booth or outdoors (not by Libra Complex). Skin & eye protection required.
- If you follow the unmodified instructions for the rockets, you will NOT be able to fly them.
  - Aerotech requires motor retainer, longer motor mount, modified placement, and removal of motor hook, thrust ring, and thrust ring flange

# Rocket Construction

- Motor retainers attached with JB Weld ONLY!
- Cyanoacrylic/Super-Glue (Aerotech)
  - Make SURE you have adequate ventilation
  - ALWAYS use skin protection (neoprene gloves)
  - Usually sets in 30 s to 20 min
  - Can use accelerator (we have limited supplies)
  - Accelerator on one surface + Super-Glue on other surface = instant bond when joined.
  - Will have to dribble on some internal joints
- Epoxy clay
  - Not quite as strong as epoxy
  - Very useful for fillets and custom mounts
  - You always need less than you think

# Rocket Hints

- For Aerotech kits...
  - There is no need for the 24 mm motor adaptor.
  - Make sure the fins snap easily into the Fink Locks BEFORE putting the Motor Tube Assembly into the Body Tube.
  - It's very difficult to reconnect the shock cord to the nose cone. An extension from the screw eye to the end of the coupler makes the process much easier.

# Deliverables

- Week 1
  - Scientific and/or Engineering objectives
  - Select sensors (min: 2, MAX: 16)
  - Parts list (especially to order)
  - Complete schematic
    - Show all calculations; bypass capacitors; power
  - Check off by Section Prof & Prof Spjut
- Week 2
  - Complete protoboard
  - Measured current draw
  - Demonstrate functionality
  - Check off by Section Prof & Prof Spjut

## NO RESTRICTIONS ON WHEN YOU DO YOUR WORK.

- However, priority for resources goes to groups that were assigned to that lab section.
- Need to show up to your lab section for the check-off.

# Deliverables

- Week 3
  - Fully populated PC board
  - Demonstrate functionality
    - Data acquisition works and is demonstrated
  - Check off by Section Prof & Prof Spjut
- Week 4
  - Completed Rocket
  - Complete ground and analysis procedures
  - Completed launch checklist (you have to DO steps)
  - Loaded launch motors

## **NO RESTRICTIONS ON WHEN YOU DO YOUR WORK.**

- However, priority for resources goes to groups that were assigned to that lab section.
- Need to show up to your lab section for the check-off.

# Deliverables

- Week 5
  - List lessons learned
  - Fix & correct things
  - Load launch motors
- Week 6
  - Analyze data
  - Write Final Report
  - Prepare Final Presentation

## **NO RESTRICTIONS ON WHEN YOU DO YOUR WORK.**

- However, priority for resources goes to groups that were assigned to that lab section.
- Need to show up to your lab section for the check-off.

# A “ONE-PAGER” ...

- **Problem Statement (or Purpose, or Goal)**
  - The final E80 project needs to be completed to pass the course
- **Success Criteria (envision successfully crossing the finish line)**
  - Design, build, and test a rocket that meets E80 requirements, and submit a final report and give a final presentation
- **Strategies (how are you going to get to that finish line?)**
  - Work as a team to meet all weekly project deliverables
- **Timeline (detailed plan for implementing the strategies)**

Sample  
Timeline for  
Section 2

<u>TASK</u>	<u>Start</u>	<u>End</u>	<u>Status</u>
Meet Week 1 Deliverables	3/12/2015	3/25/2015	In Progress
Meet Week 2 Deliverables	3/25/2015	4/1/2015	Not Started
Meet Week 3 Deliverables	4/1/2015	4/8/2015	Not Started
Meet Week 4 Deliverables	4/8/2015	4/15/2015	Not Started
Meet Week 5 Deliverables	4/15/2015	4/22/2015	Not Started
Meet Week 6 Deliverables	4/22/2015	5/4/2015	Not Started
Give Final Presentation	5/4/2015	5/4/2015	Not Started



Good Luck Over the Next 7 Weeks!

**MAKE IT HAPPEN!**