

6

5

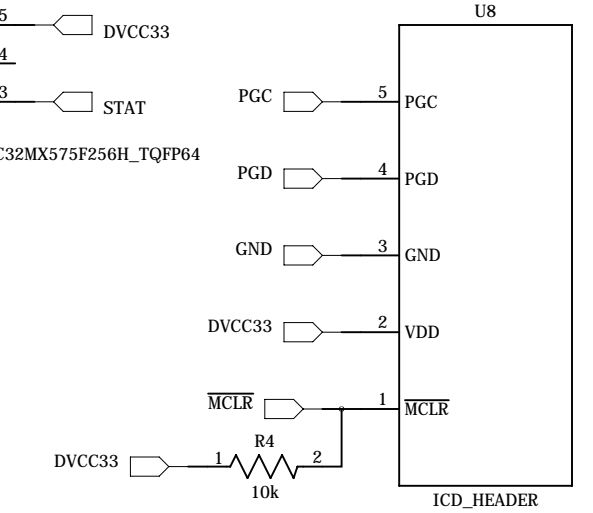
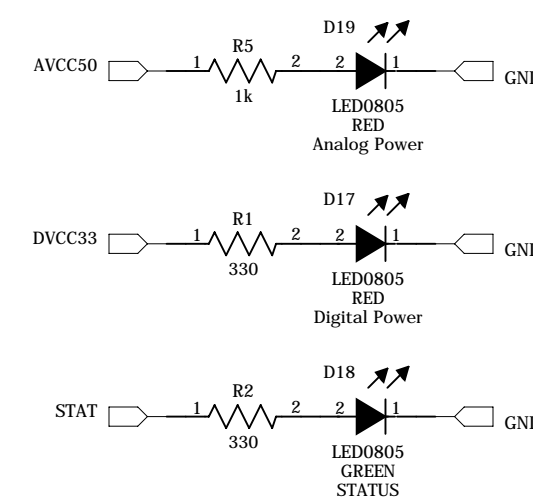
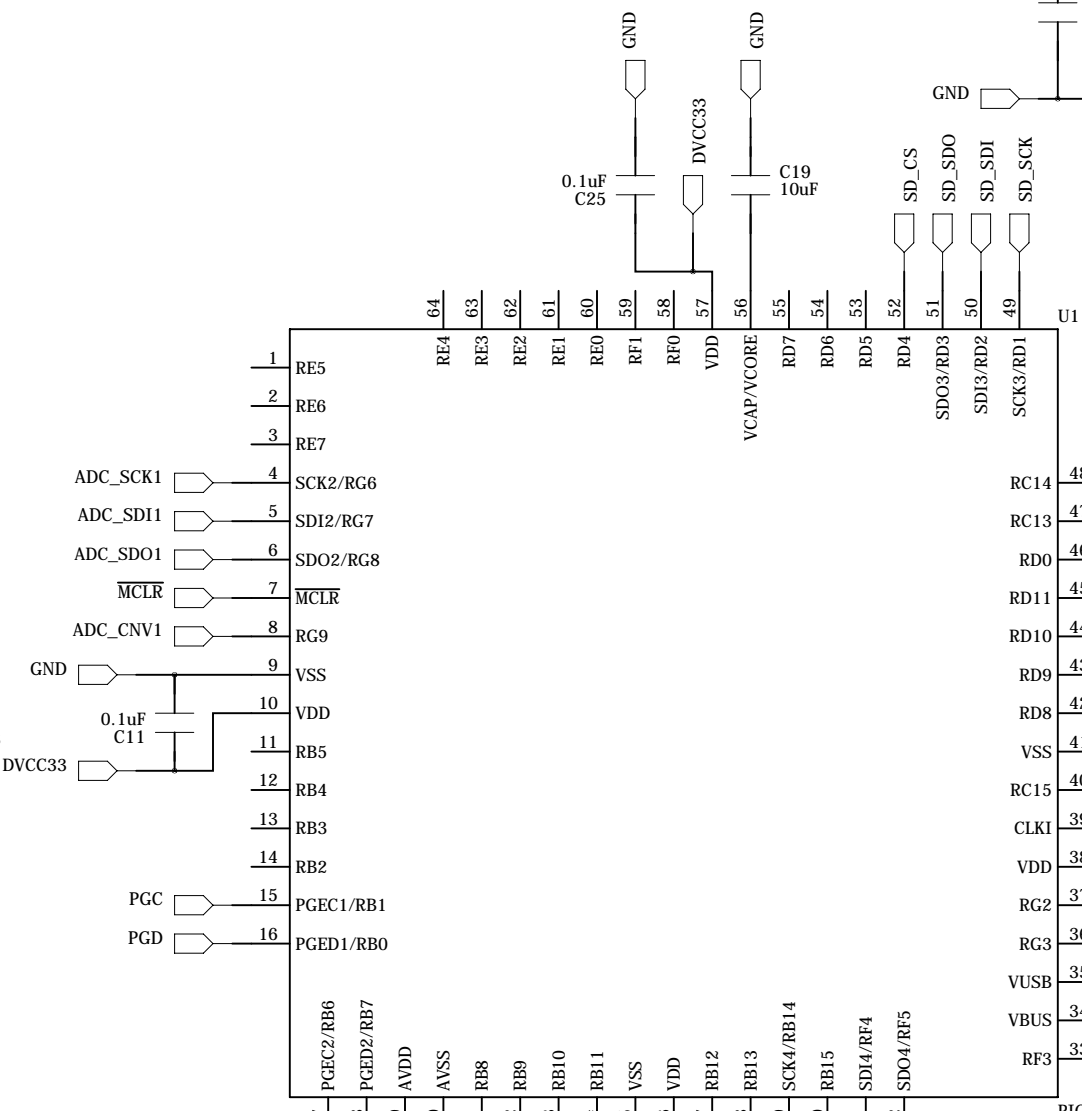
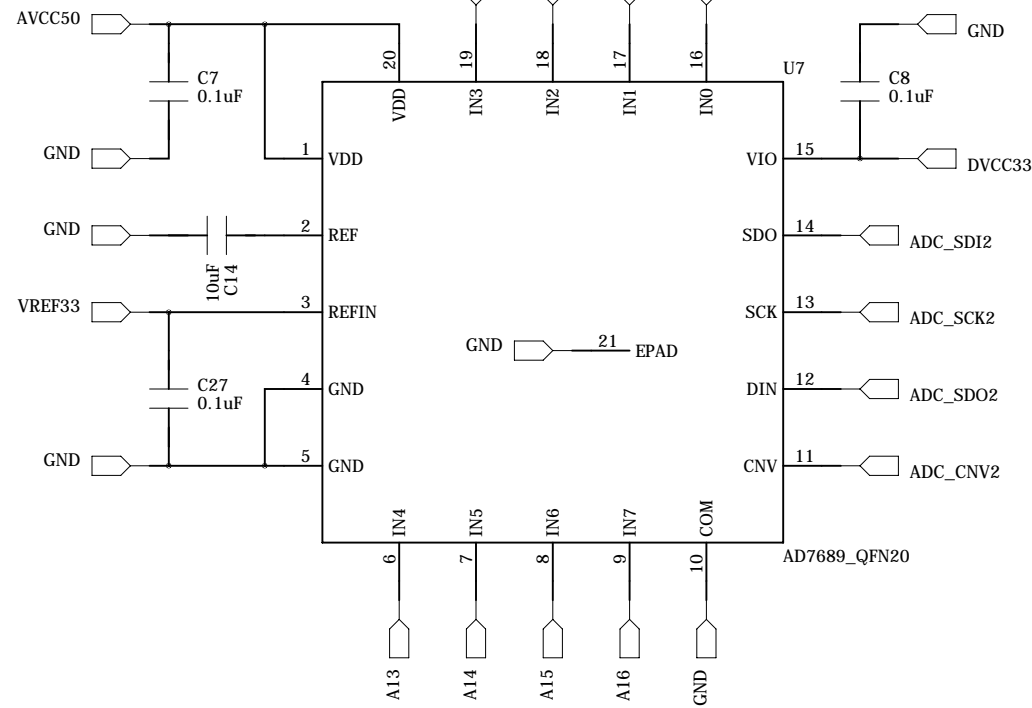
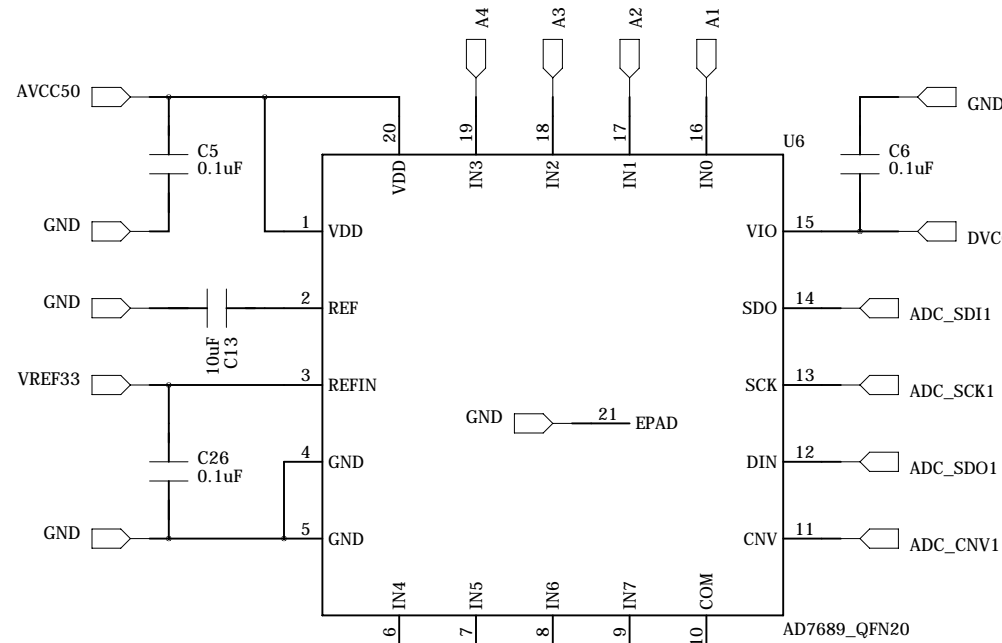
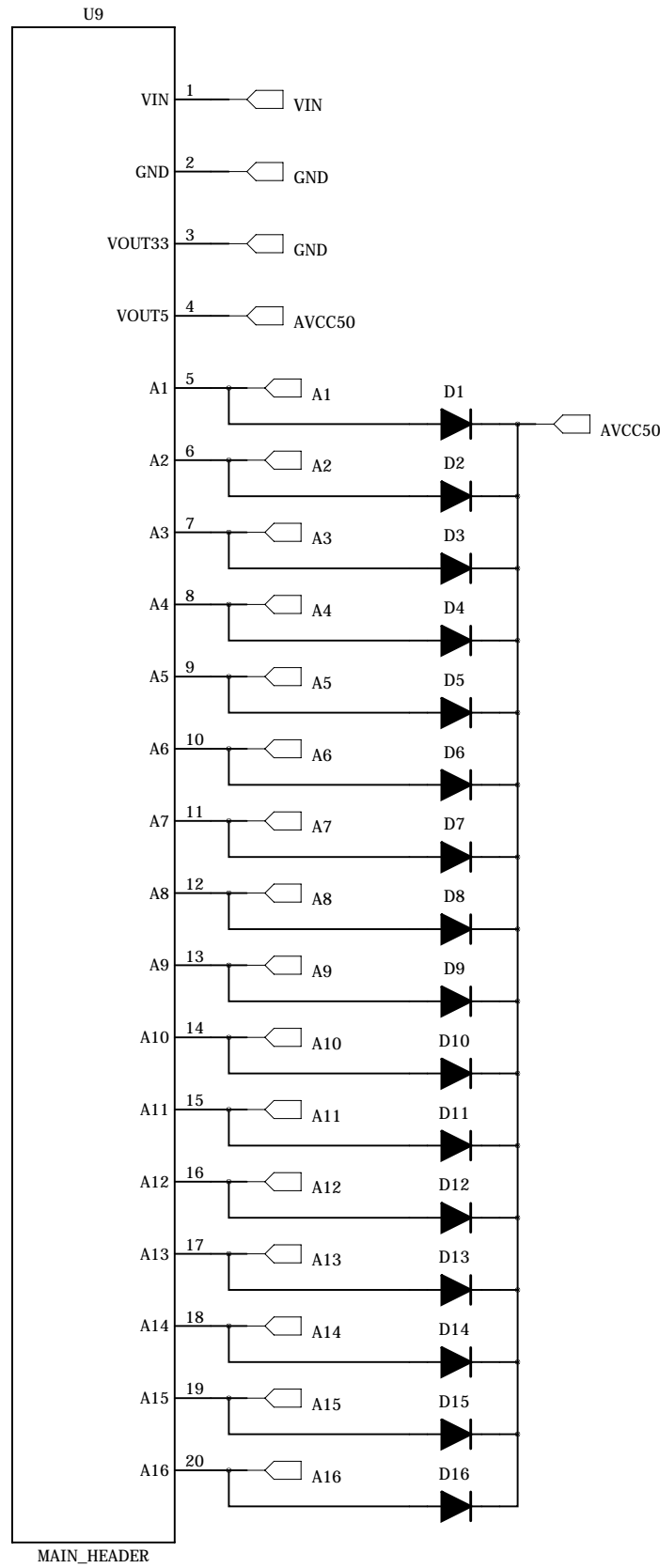
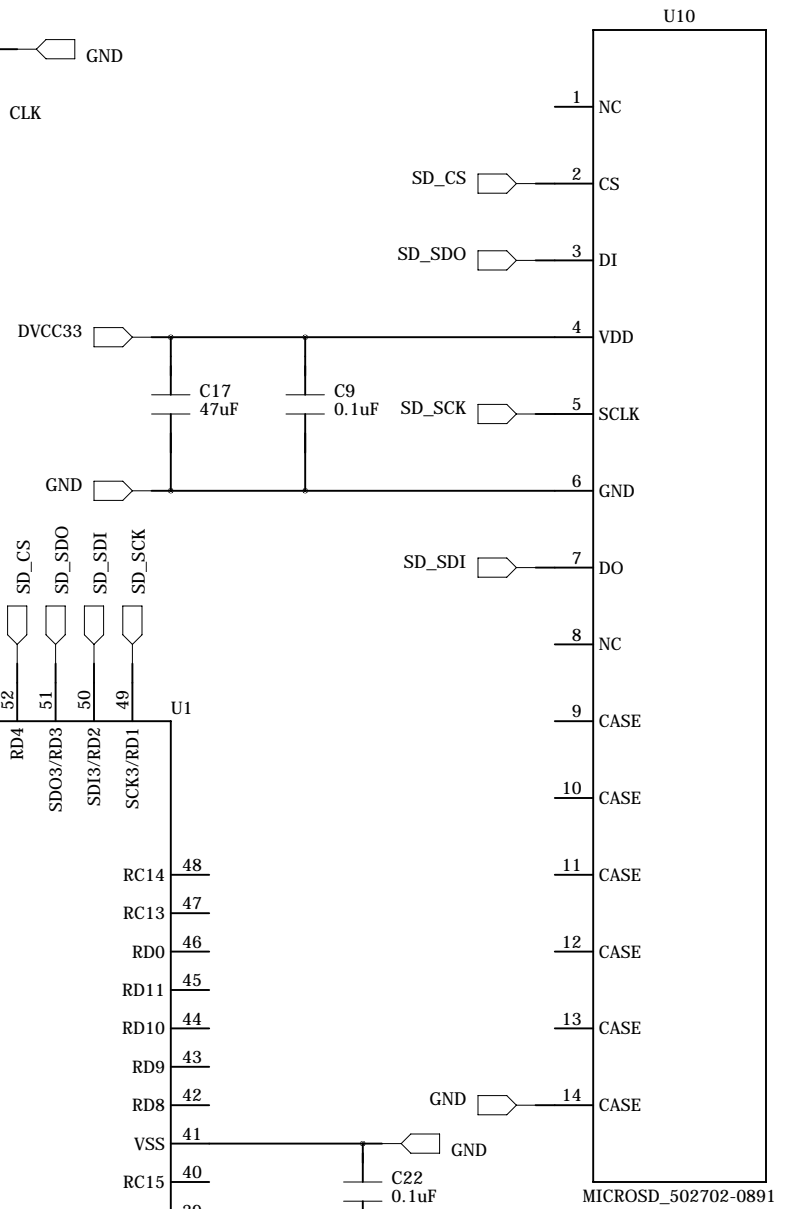
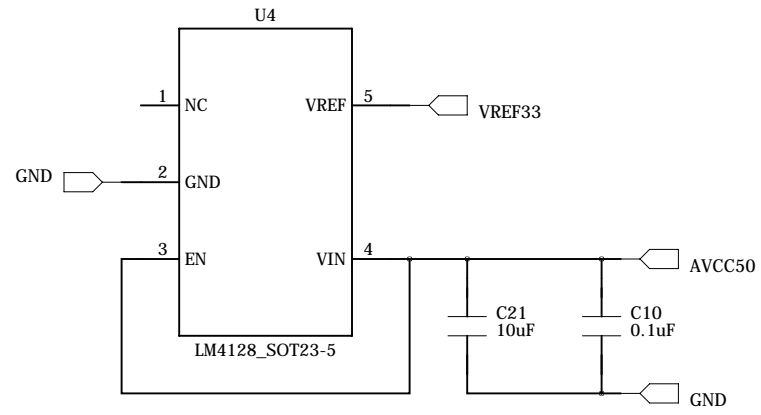
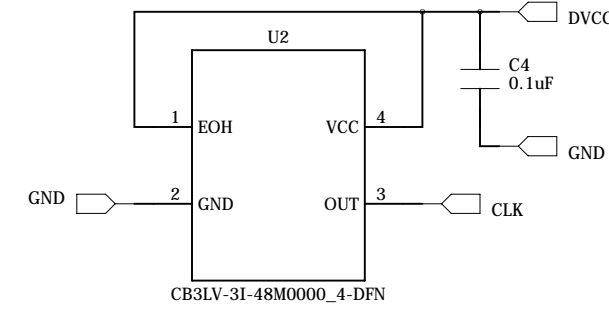
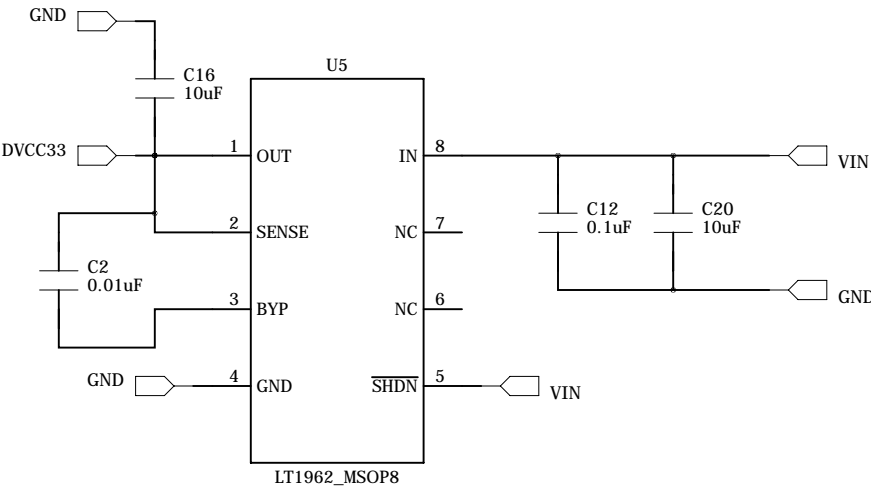
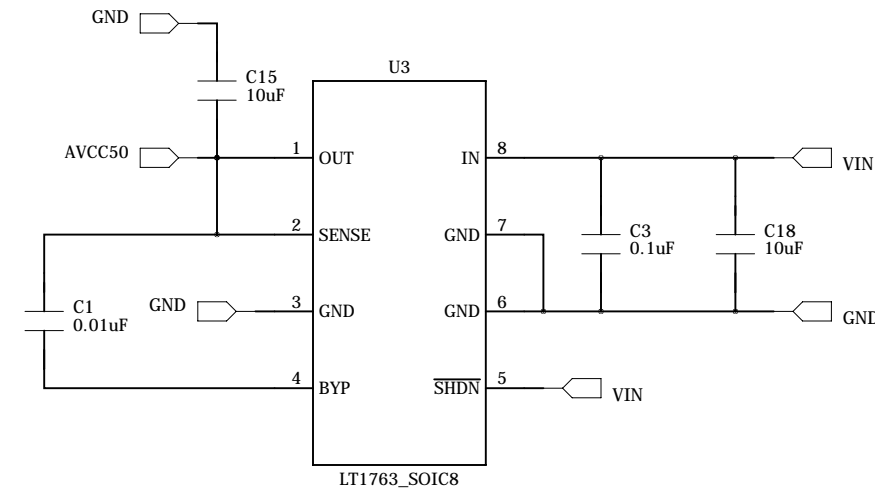
4

3

2

1

REVISION RECORD			
LTR	ECO NO:	APPROVED:	DATE:



COMPANY: Harvey Mudd College			
TITLE: MuddLogg16 Data Logger Board			
CODE:	SIZE:	DRAWING NO:	REV:
	C		2
SCALE:			SHEET: 1 of 1

DRAWN: Tyler Smelt	DATED: 12/11/2012
CHECKED:	DATED:
QUALITY CONTROL:	DATED:
RELEASED:	DATED:

D

D

C

C

B

B

A

A