




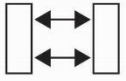
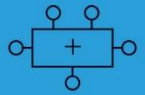
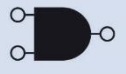
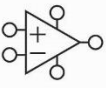
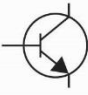
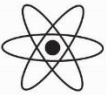
**Digital Design &
Computer Architecture**

Sarah Harris & David Harris

**Chapter 3:
Sequential Logic
Design**

Chapter 3 :: Topics

- **State Elements**
 - Bistable Circuit
 - SR Latch
 - D Latch
 - D Flip-Flop
 - Variations
- **Synchronous Sequential Logic**
- **Finite State Machines**
 - Moore
 - Mealy
 - Factored
- **Timing of Sequential Logic**
 - Clock Skew
 - Synchronization
- **Parallelism**

Application Software	
Operating Systems	
Architecture	
Micro-architecture	
Logic	
Digital Circuits	
Analog Circuits	
Devices	
Physics	

Chapter 3: Sequential Logic

State Elements

Introduction

- Outputs of sequential logic depend on current *and* prior input values – it has ***memory***.

Sequential Circuits

- Give sequence to events
- Have memory (short-term)
- Use feedback from output to input to store information

State Elements

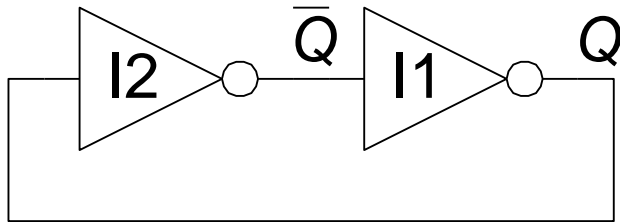
- **State:** everything about the prior inputs to the circuit necessary to predict its future behavior
 - Usually just 1 bit, the last value captured
- State elements store state
 - Bistable circuit
 - SR Latch
 - D Latch
 - D Flip-flop

Chapter 3: Sequential Logic

Bistable Circuit

Bistable Circuit

- Fundamental building block of other state elements
- Two outputs: Q , \bar{Q}
- No inputs

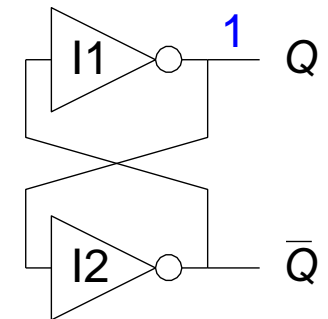
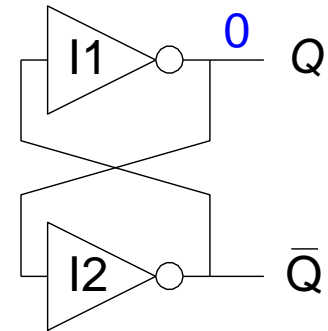


Bistable Circuit Analysis

- Consider the two possible cases:

– $Q = 0$:

– $Q = 1$:

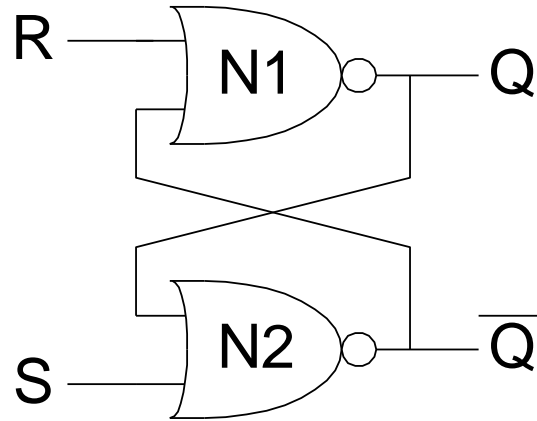


Chapter 3: Sequential Logic

SR Latch

SR (Set/Reset) Latch

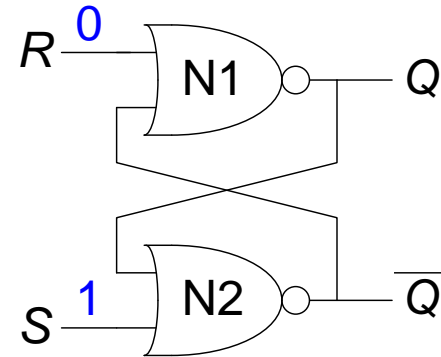
- **SR Latch**



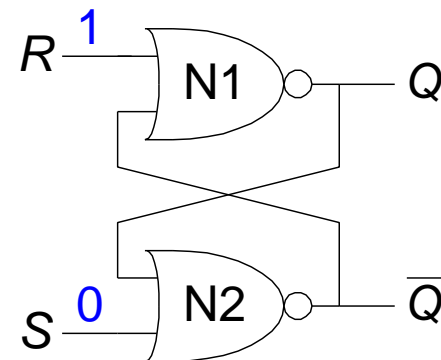
- Consider the four possible cases:

SR Latch Analysis

– $S = 1, R = 0$:



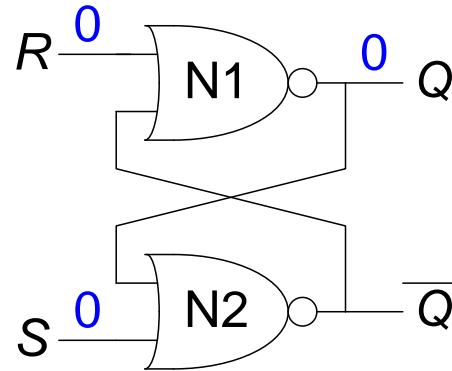
– $S = 0, R = 1$:



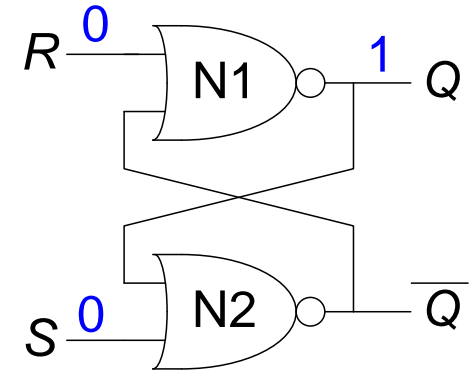
SR Latch Analysis

– $S = 0, R = 0$:

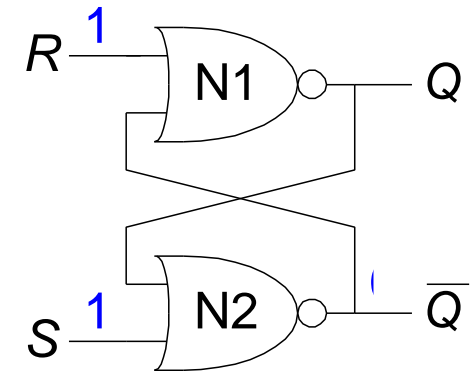
$Q_{prev} = 0$



$Q_{prev} = 1$



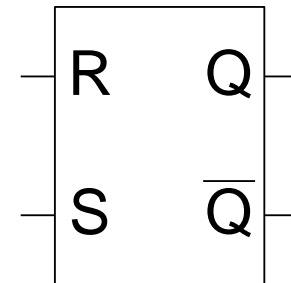
– $S = 1, R = 1$:



SR Latch

- **SR** stands for **S**et/**R**eset Latch
 - Stores one bit of state (Q)
- Control what value is being stored with S , R inputs
 - **Set:** Make the output 1
 $S = 1, R = 0, Q = 1$
 - **Reset:** Make the output 0
 $S = 0, R = 1, Q = 0$
 - **Memory:** Retain value
 $S = 0, R = 0, Q = Q_{prev}$

SR Latch
Symbol



- **Must do something to avoid invalid state (when $S = R = 1$)**

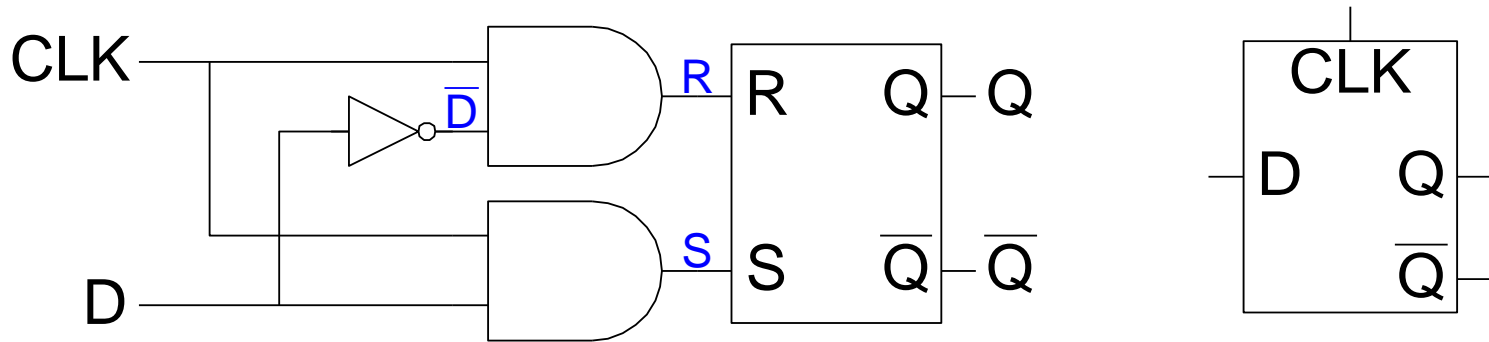
Chapter 3: Sequential Logic

D Latch

D Latch

- **Two inputs:** *CLK*, *D*
 - ***CLK***: controls *when* the output changes
 - ***D*** (the data input): controls *what* the output changes to

D Latch Internal Circuit



CLK	D	\overline{D}	S	R	Q	\overline{Q}
0	X					
1	0					
1	1					

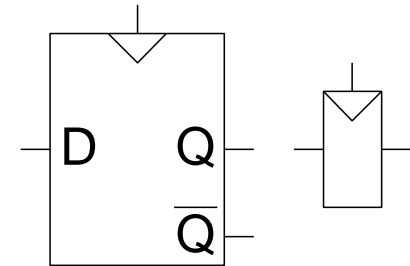
Chapter 3: Sequential Logic

D Flip-Flop

D Flip-Flop

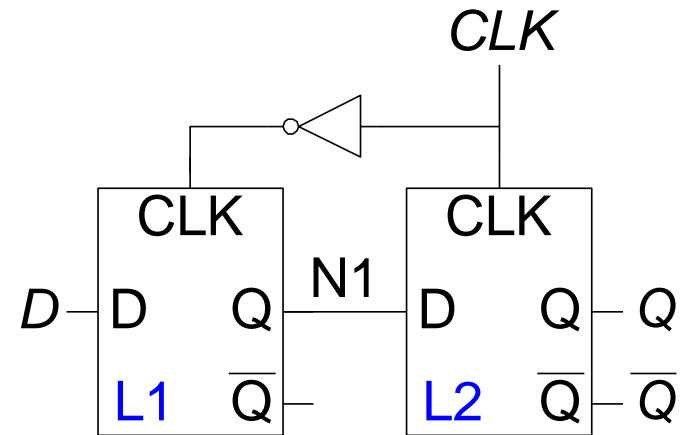
- **Inputs:** *CLK*, *D*

D Flip-Flop
Symbols

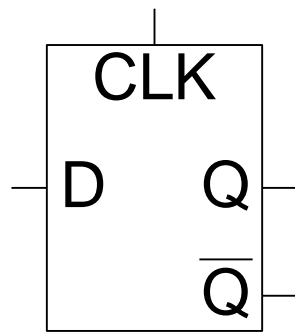


D Flip-Flop Internal Circuit

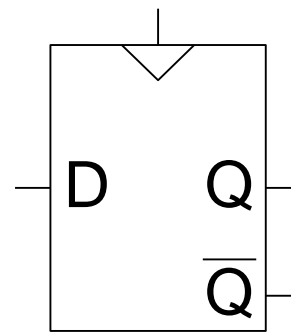
- **Two back-to-back D latches** (L1 and L2) controlled by complementary clocks
- When $CLK = 0$
- When $CLK = 1$



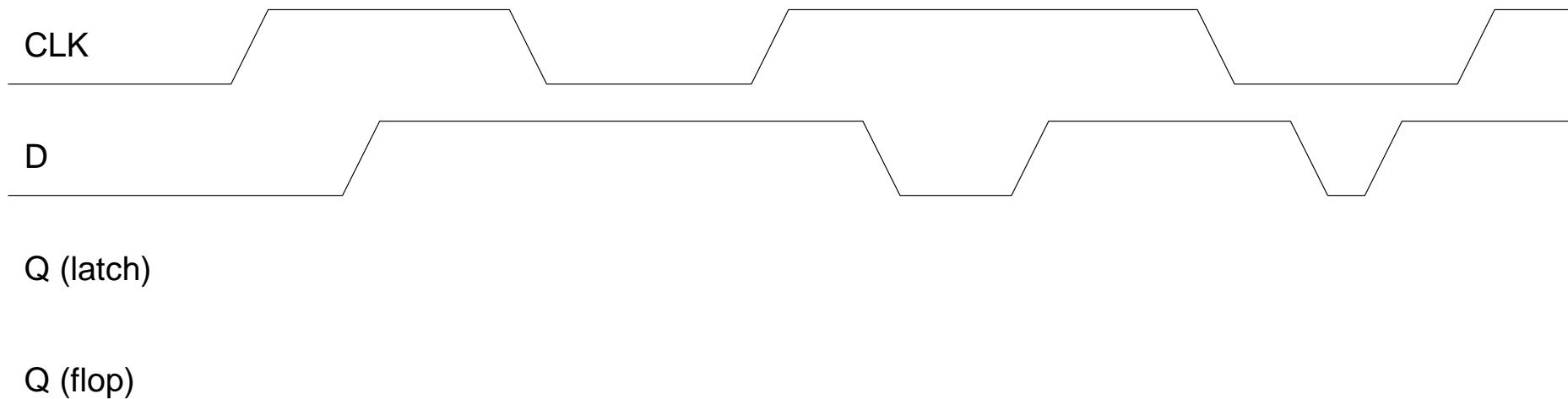
D Latch vs. D Flip-Flop



D Latch



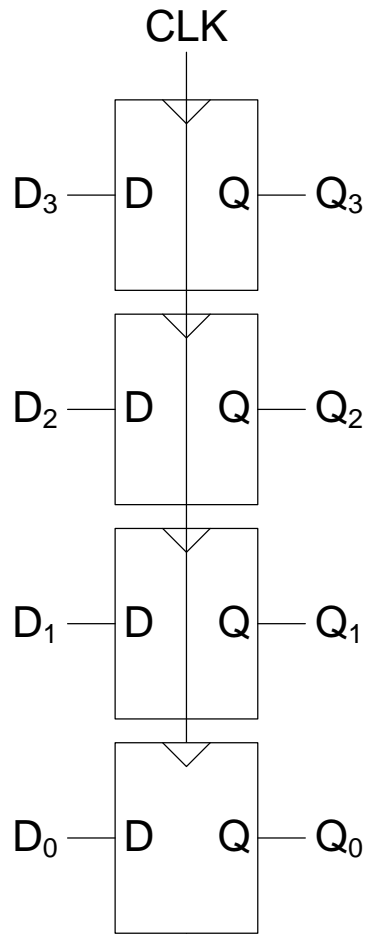
D Flip-flop



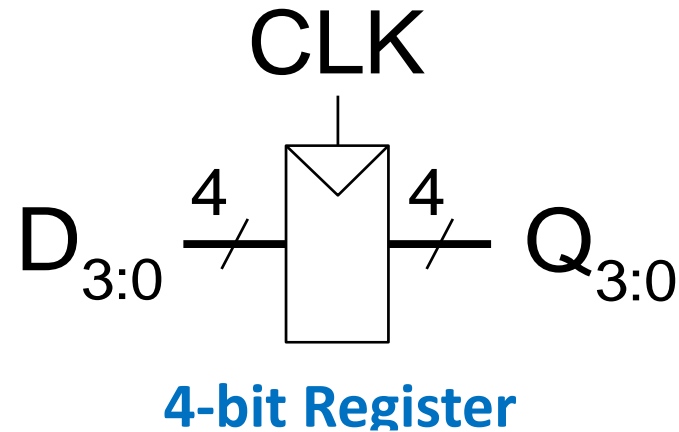
Chapter 3: Sequential Logic

Variations on a Flop

Registers: One or More Flip-flops



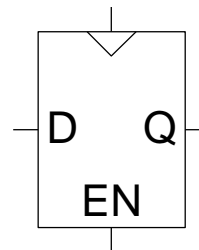
4-bit Register



Enabled Flip-Flops

- **Inputs:** CLK , D , EN
 - The enable input (EN) controls when new data (D) is stored
- **Function**
 - $EN = 1$:
 - $EN = 0$:

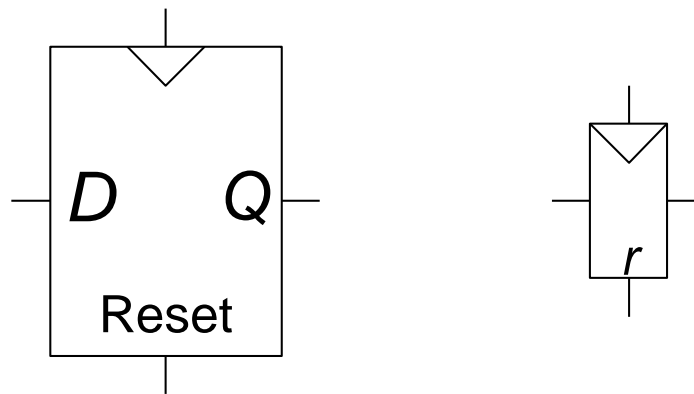
Symbol



Resettable Flip-Flops

- **Inputs:** *CLK*, *D*, *Reset*
- **Function:**
 - *Reset* = 1:
 - *Reset* = 0:

Symbols



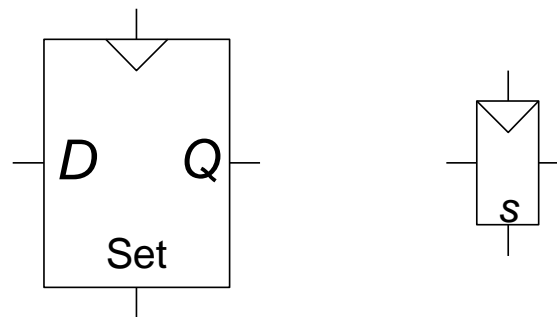
Resettable Flip-Flops

- Two types:
 - Synchronous:
 - Asynchronous:

Settable Flip-Flops

- **Inputs:** *CLK*, *D*, *Set*
- **Function:**
 - *Set* = 1:
 - *Set* = 0:

Symbols

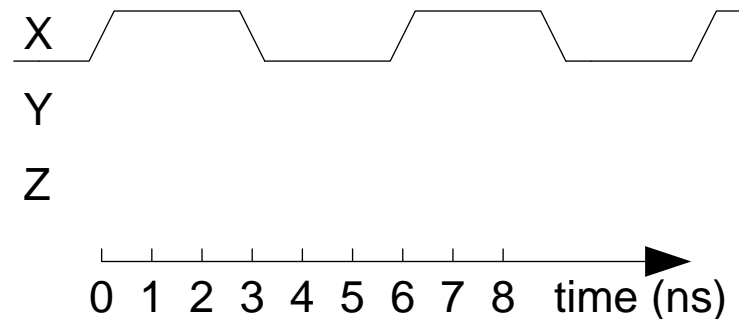
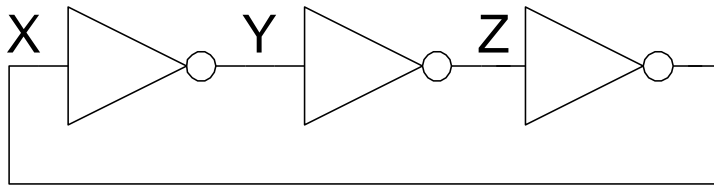


Chapter 3: Sequential Logic

Synchronous Sequential Logic

Sequential Logic

- **Sequential circuits:** all circuits that aren't combinational
- **A problematic circuit:**



- **No inputs** and 1-3 outputs
- Astable circuit, **oscillates**
- Period depends on inverter delay
- It has a **cyclic path**: output fed back to input

Synchronous Sequential Logic Design

Synchronous Sequential Logic Design

- Breaks cyclic paths by **inserting registers**
- Registers contain **state** of the system
- State changes at clock edge: system **synchronized** to the clock
- **Rules** of synchronous sequential circuit composition:
 - Every circuit element is either a **register** or a **combinational circuit**
 - At least **one** circuit element is a **register**
 - All registers receive the **same clock**
 - Every **cyclic path** contains at least **one register**
- Two common synchronous sequential circuits
 - **Finite State Machines (FSMs)**
 - **Pipelines**

Chapter 3: Sequential Logic

FSMs:

Finite State Machines

Finite State Machine (FSM)

- **Consists of:**
 - **State register**
 - **Combinational logic**

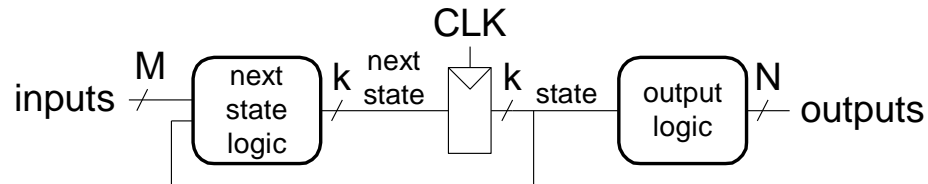
Finite State Machines (FSMs)

- **Next state** determined by **current state** and **inputs**

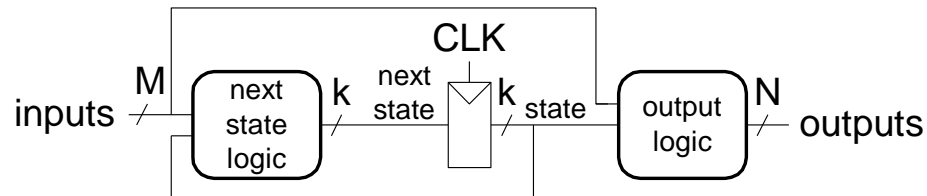
Finite State Machines (FSMs)

- **Next state** determined by **current state** and **inputs**
- Two types of finite state machines differ in **output logic**:
 - **Moore FSM**: outputs depend **only** on **current state**
 - **Mealy FSM**: outputs depend on **current state** *and* **inputs**

Moore FSM



Mealy FSM



FSM Design Procedure

FSM Design Procedure

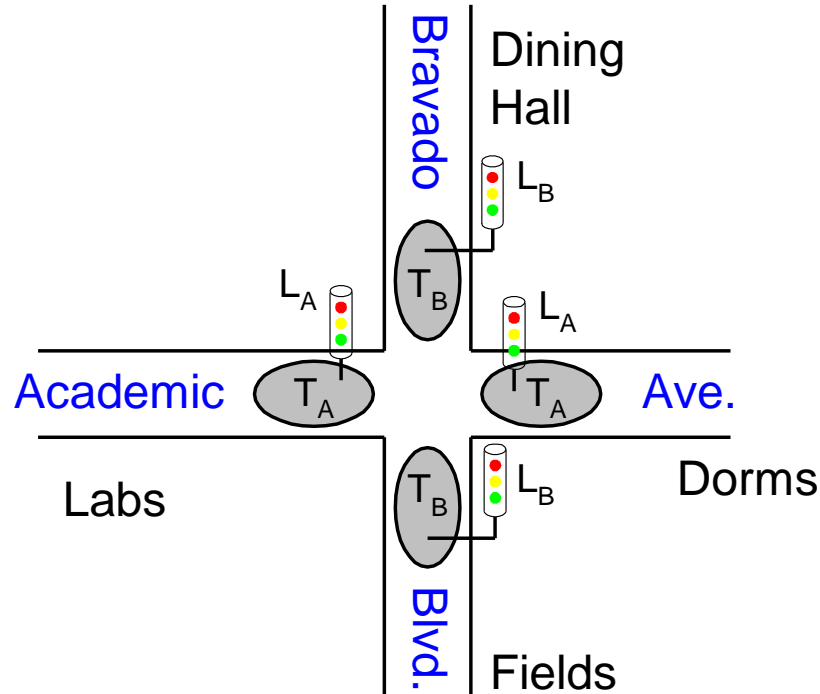
1. Identify **inputs** and **outputs**
2. Sketch **state transition diagram**
3. Write **state transition table** and **output table**
 - **Moore FSM:** write **separate** tables
 - **Mealy FSM:** write **combined** state transition and output table
4. Select **state encodings**
5. Rewrite state transition table and output table with state **encodings**
6. Write **Boolean equations** for next state and output logic
7. Sketch the circuit **schematic**

Chapter 3: Sequential Logic

Moore FSM Example

FSM Example

- **Traffic light controller**
 - Traffic sensors: T_A , T_B (TRUE when there's traffic)
 - Lights: L_A , L_B

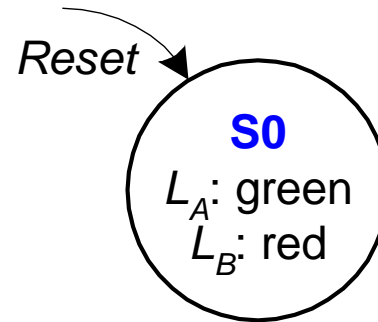


FSM Black Box

- **Inputs:** CLK , $Reset$, T_A , T_B
- **Outputs:** L_A , L_B

FSM State Transition Diagram

- **Moore FSM:** outputs labeled in each state
- **States:** Circles
- **Transitions:** Arcs

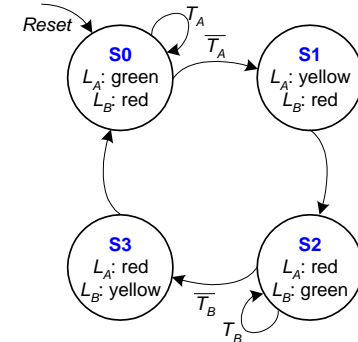


FSM State Transition Table

Current State S	Inputs		Next State S'
	T_A	T_B	
S0	0	X	
S0	1	X	
S1	X	X	
S2	X	0	
S2	X	1	
S3	X	X	

S : Current State

S' : Next State



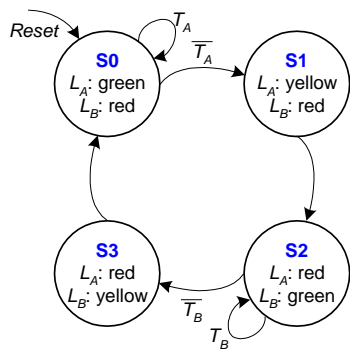
FSM Encoded State Transition Table

Current State		Inputs		Next State	
S_1	S_0	T_A	T_B	S'_1	S'_0
S0	S0	0	X	S1	S0
S0	S1	1	X	S0	S1
S1	S2	X	X	S2	S3
S2	S3	X	0	S3	S2
S2	S0	X	1	S2	S3
S3	S1	X	X	S0	S2

State	Encoding
S0	00
S1	01
S2	10
S3	11

FSM Output Table

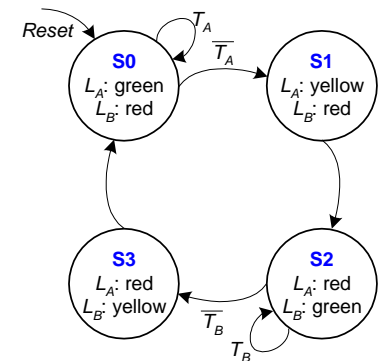
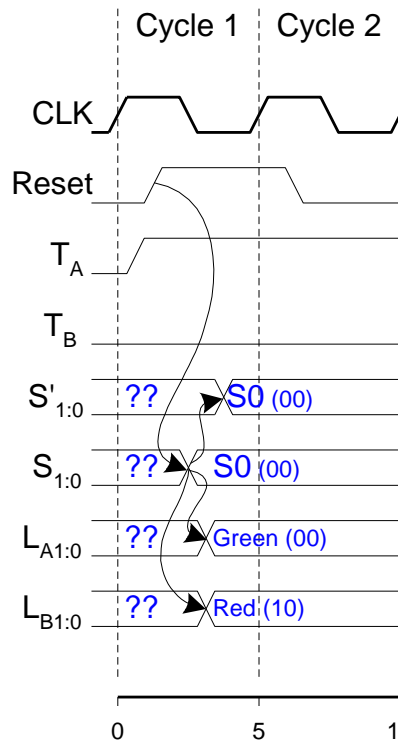
Current State		Outputs			
S_1	S_0	L_{A1}	L_{A0}	L_{B1}	L_{B0}
	S0	green		red	
	S1	yellow		red	
	S2	red		green	
	S3	red		yellow	



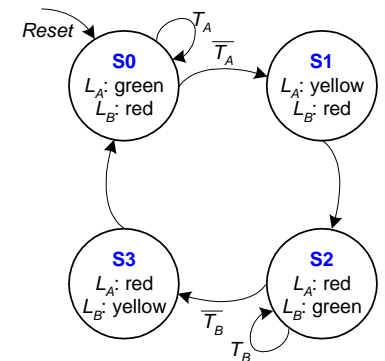
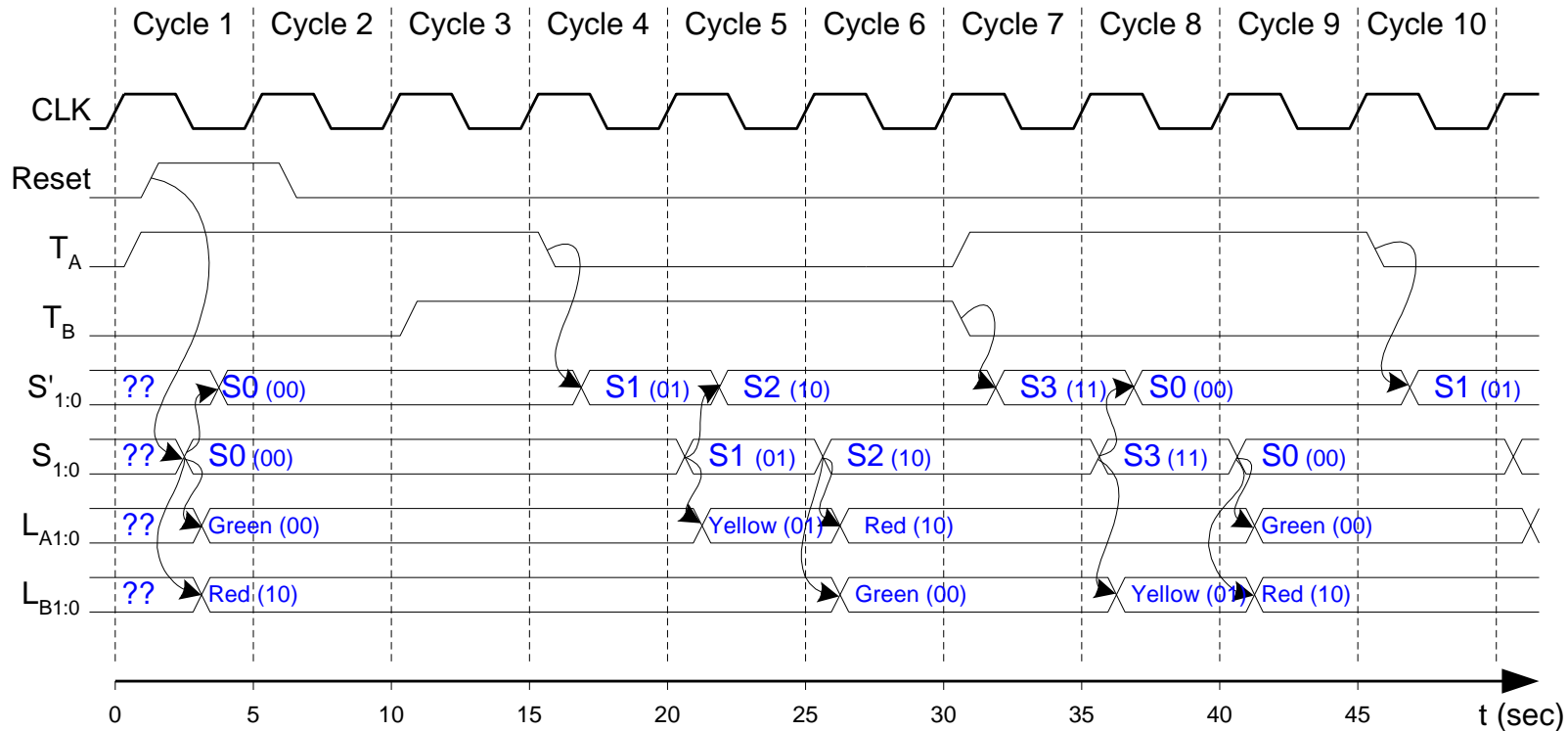
Output	Encoding
green	00
yellow	01
red	10

FSM Schematic

FSM Timing Diagram



FSM Timing Diagram



State Encodings

- **Binary** encoding:
- **One-hot** encoding

1-Hot State Encoding Example

Current State				Inputs		Next State			
s_3	s_2	s_1	s_0	T_A	T_B	s'_3	s'_2	s'_1	s'_0
	S0			0	X		S1		
	S0			1	X		S0		
	S1			X	X		S2		
	S2			X	0		S3		
	S2			X	1		S2		
	S3			X	X		S0		

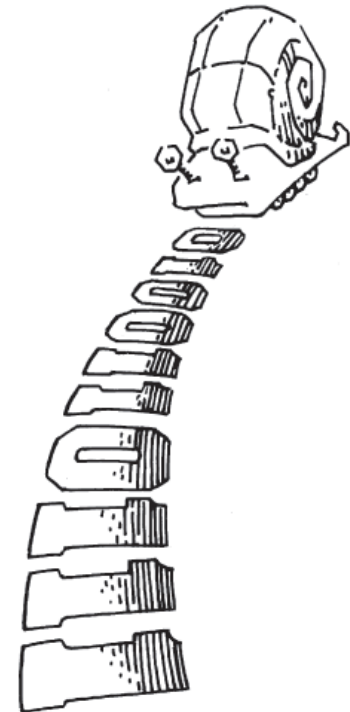
State	1-Hot Encoding
S0	0001
S1	0010
S2	0100
S3	1000

Chapter 3: Sequential Logic

Mealy FSM Example

Moore vs. Mealy FSMs

Alyssa P. Hacker has a snail that crawls down a paper tape with 1's and 0's on it. The snail smiles whenever the last two digits it has crawled over are **01**. Design **Moore** and **Mealy** FSMs of the snail's brain.



State Transition Diagrams

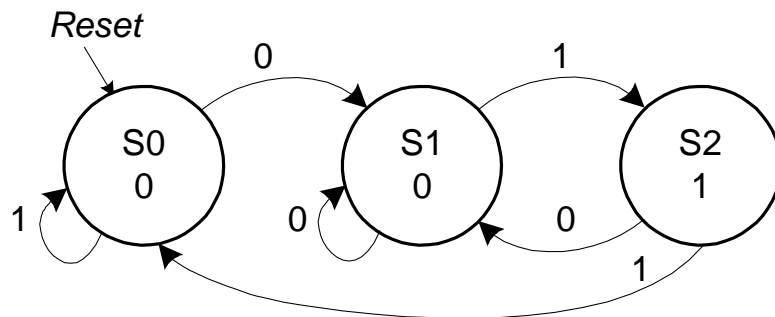
Moore FSM

Mealy FSM

Moore FSM State Transition Table

Current State		Inputs	Next State	
S_1	S_0		S'_1	S'_0
0	0	0		
0	0	1		
0	1	0		
0	1	1		
1	0	0		
1	0	1		

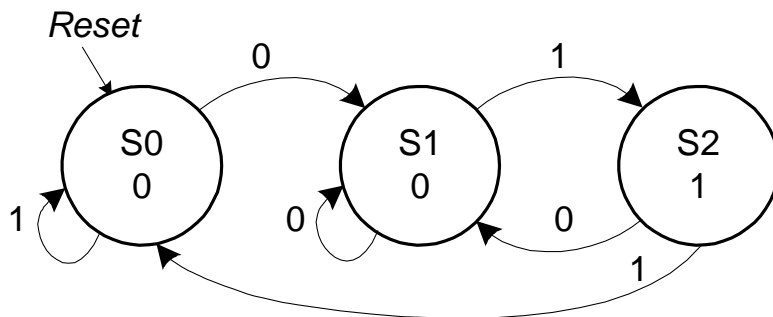
State	Encoding
S0	00
S1	01
S2	10



Moore FSM Output Table

Current State		Output
S_1	S_0	Y
0	0	
0	1	
1	0	

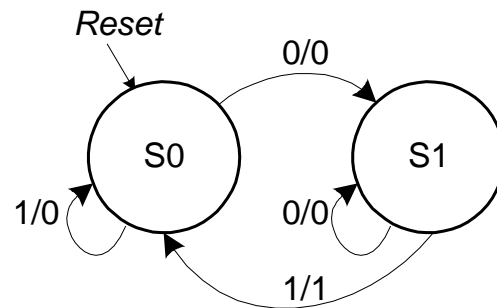
State	Encoding
S0	00
S1	01
S2	10



Mealy State Transition & Output Table

Current State	Input	Next State	Output
S_0	A	S'_0	Y
0	0		
0	1		
1	0		
1	1		

State	Encoding
S0	0
S1	1



Moore FSM Schematic

Next State Equations

$$S_1' = S_0 A$$

$$S_0' = \bar{A}$$

Output Equation

$$Y = S_1$$

Mealy FSM Schematic

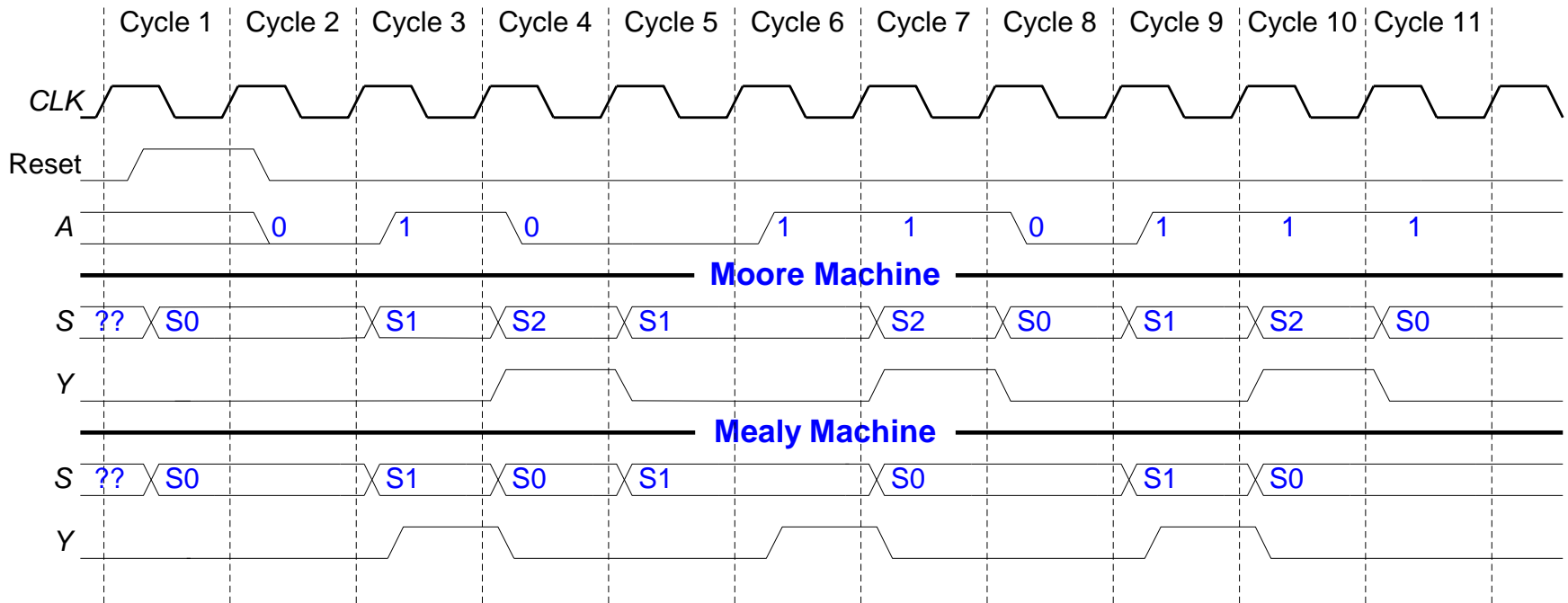
Next State Equation

$$S_0' = \overline{A}$$

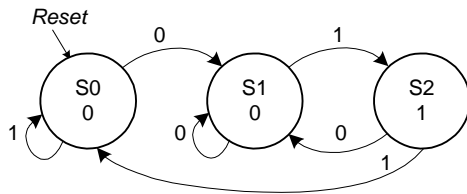
Output Equation

$$Y = S_0 A$$

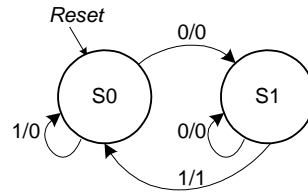
Moore and Mealy Timing Diagram



Moore FSM



Mealy FSM



Mealy FSM: asserts Y **immediately** when input pattern 01 is detected

Moore FSM: asserts Y one cycle **after** input pattern 01 is detected

Chapter 3: Sequential Logic

Factored FSMs

Factoring FSMs

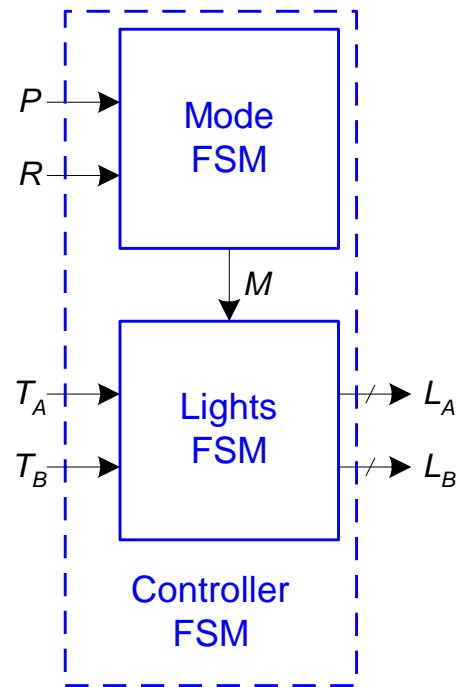
- Break **complex FSMs** into **smaller interacting FSMs**
- **Example:** Modify traffic light controller to have Parade Mode.
 - Two more inputs: ***P***, ***R***
 - When ***P* = 1**, enter Parade Mode & Bravado Blvd light stays green
 - When ***R* = 1**, leave Parade Mode

Parade FSMs

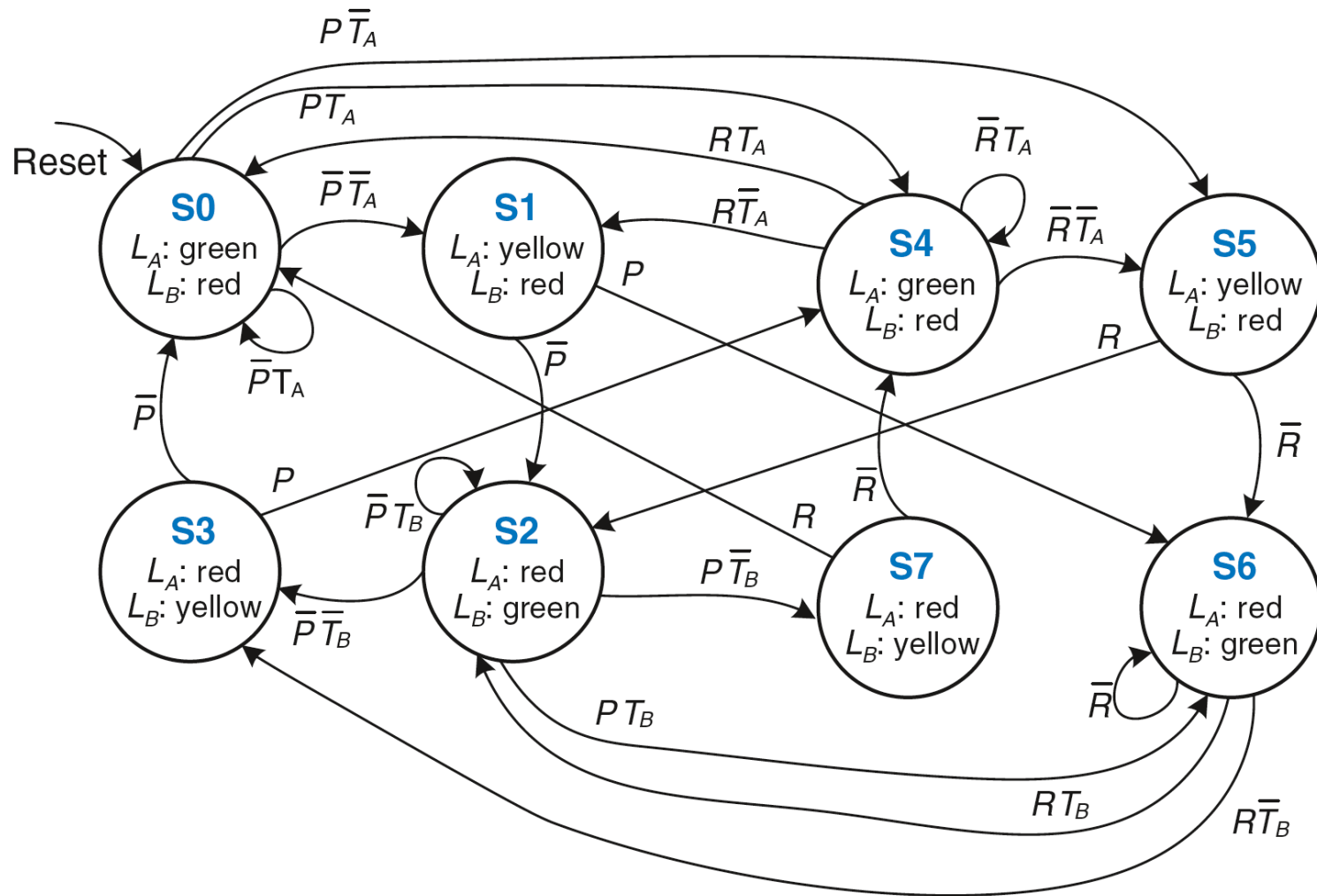
Unfactored FSM



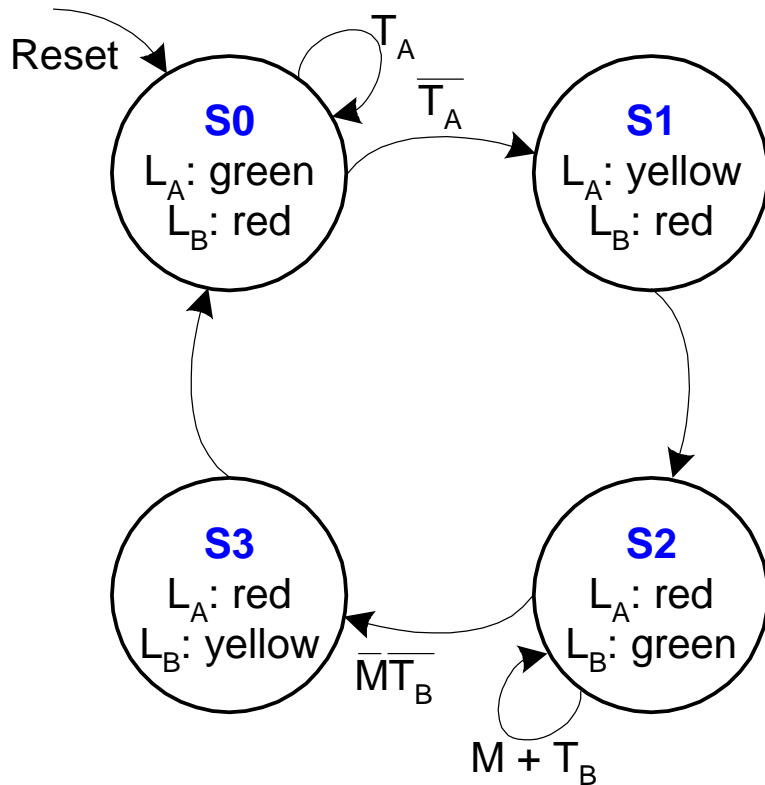
Factored FSM



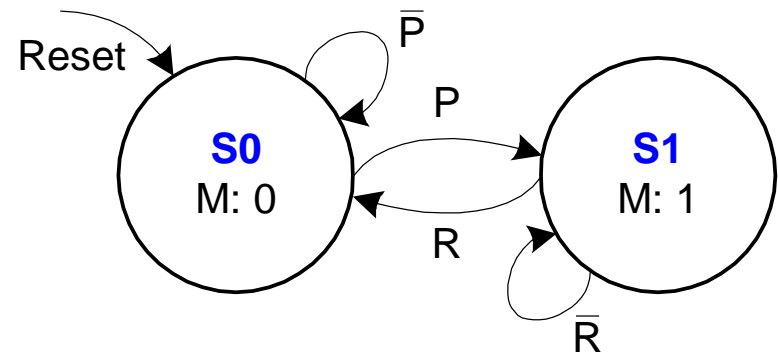
Unfactored FSM



Factored FSM



Lights FSM



Mode FSM

Chapter 3: Sequential Logic

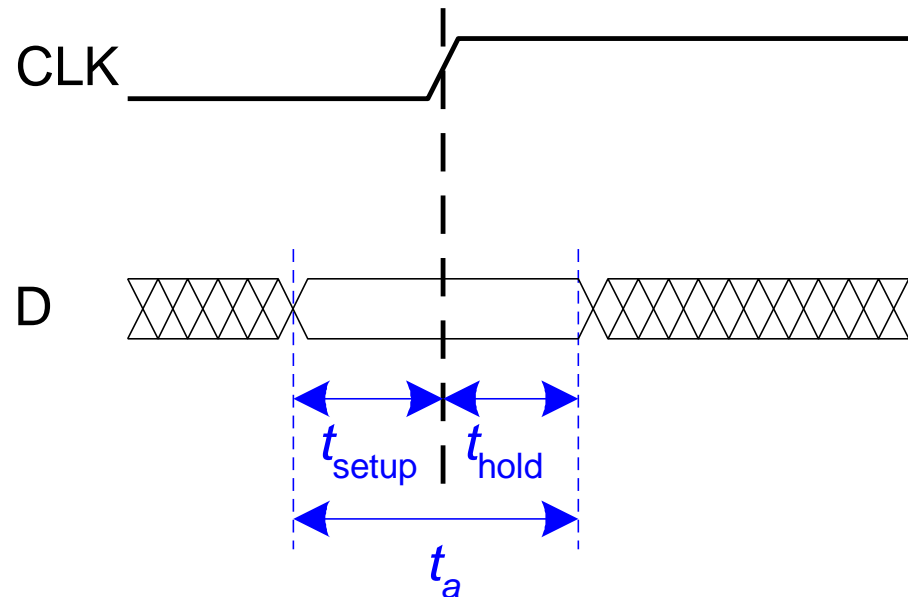
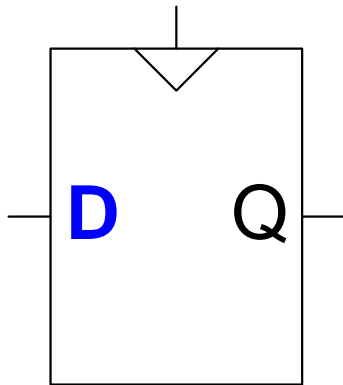
Timing

Timing

- Flip-flop samples D at clock edge
- **D must be stable when sampled**
- Similar to a photograph, D must be stable around clock edge

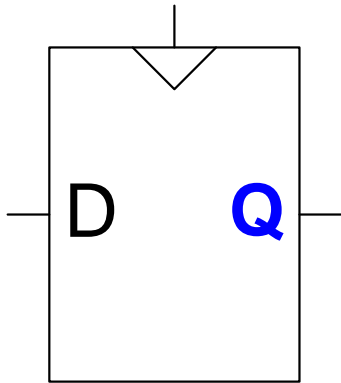
Input Timing Constraints

- **Setup time:** t_{setup} = time *before* clock edge data must be stable (i.e. not changing)
- **Hold time:** t_{hold} = time *after* clock edge data must be stable
- **Aperture time:** t_a = time *around* clock edge data must be stable ($t_a = t_{\text{setup}} + t_{\text{hold}}$)



Output Timing Constraints

- **Propagation delay:** t_{pcq} = time after clock edge that Q is guaranteed to be stable (i.e., to stop changing): **maximum delay**
- **Contamination delay:** t_{ccq} = time after clock edge that Q might be unstable (i.e., start changing): **minimum delay**

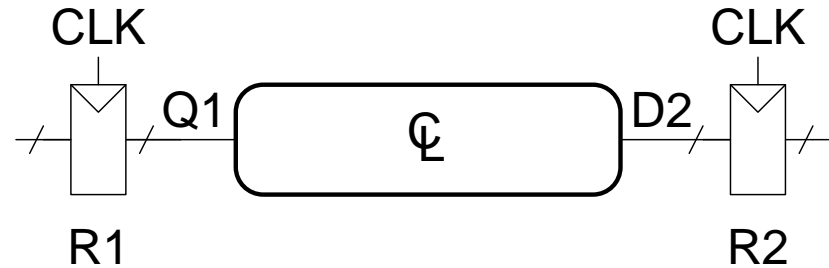


Dynamic Discipline

- Synchronous sequential circuit inputs must be **stable during aperture** (setup and hold) time around clock edge
- Specifically, inputs must be stable
 - at least t_{setup} before the clock edge
 - at least until t_{hold} after the clock edge

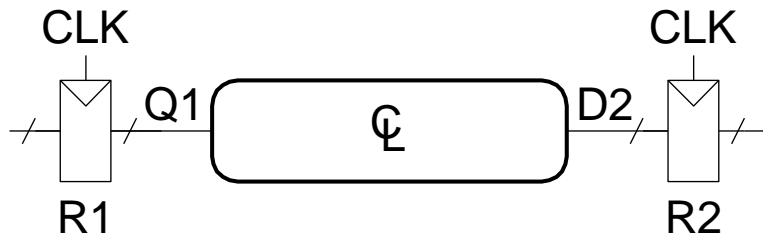
Dynamic Discipline

- The delay between registers has a **minimum** and **maximum** delay, dependent on the delays of the circuit elements



Setup Time Constraint

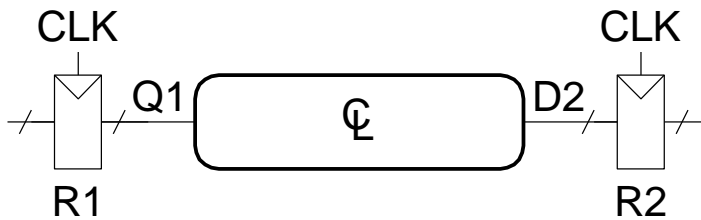
- Depends on the **maximum** delay from register R1 through combinational logic to R2
- The input to register R2 must be stable at least t_{setup} before clock edge



Also called:
Cycle Time Constraint

Hold Time Constraint

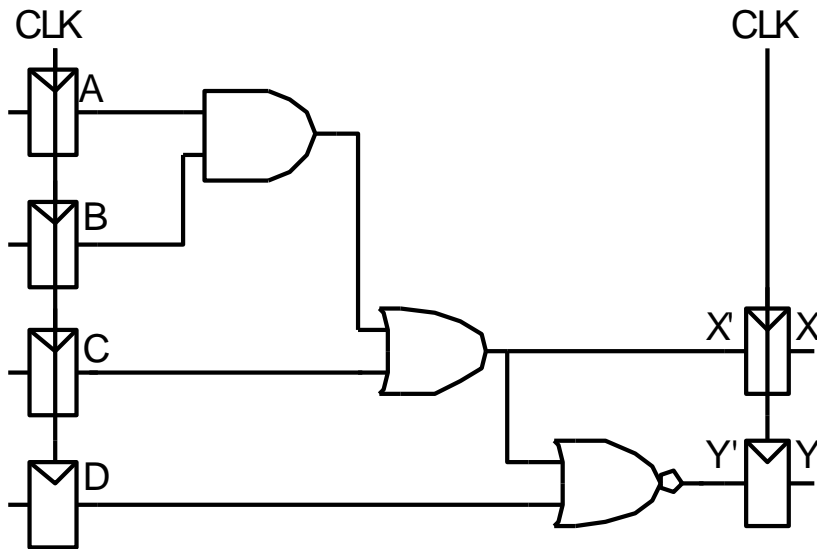
- Depends on the **minimum** delay from register R1 through the combinational logic to R2
- The input to register R2 must be stable for at least t_{hold} after the clock edge



Timing Analysis

- Calculate **both constraints**:
 - **Setup time** constraint (aka cycle time constraint)
 - **Hold time** constraint
- If the hold time constraint isn't met, the circuit **won't work reliably at any frequency**

Timing Analysis Example



Timing Characteristics

Flip-Flops

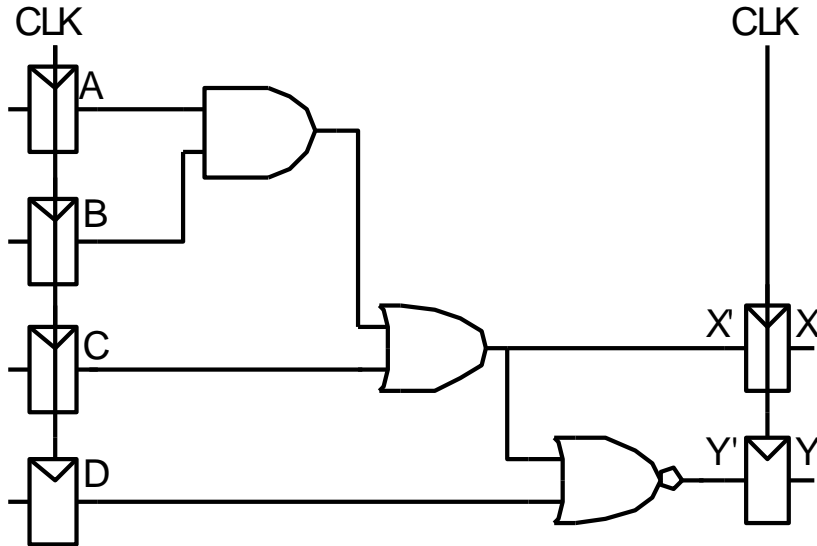
$$\left[\begin{array}{l} t_{ccq} = 30 \text{ ps} \\ t_{pcq} = 50 \text{ ps} \\ t_{\text{setup}} = 60 \text{ ps} \\ t_{\text{hold}} = 70 \text{ ps} \end{array} \right.$$

Logic delays:
per gate

$$\left[\begin{array}{l} t_{pd} = 35 \text{ ps} \\ t_{cd} = 25 \text{ ps} \end{array} \right.$$

Timing Analysis Example

How to fix?



$$t_{pd} = 3 \times 35 \text{ ps} = 105 \text{ ps}$$

$$t_{cd} = 25 \text{ ps}$$

Setup time constraint:

Hold time constraint:

Timing Characteristics

Flip-Flops

$$\left[\begin{array}{l} t_{ccq} = 30 \text{ ps} \\ t_{pcq} = 50 \text{ ps} \\ t_{\text{setup}} = 60 \text{ ps} \\ t_{\text{hold}} = 70 \text{ ps} \end{array} \right.$$

Logic delays:

per gate

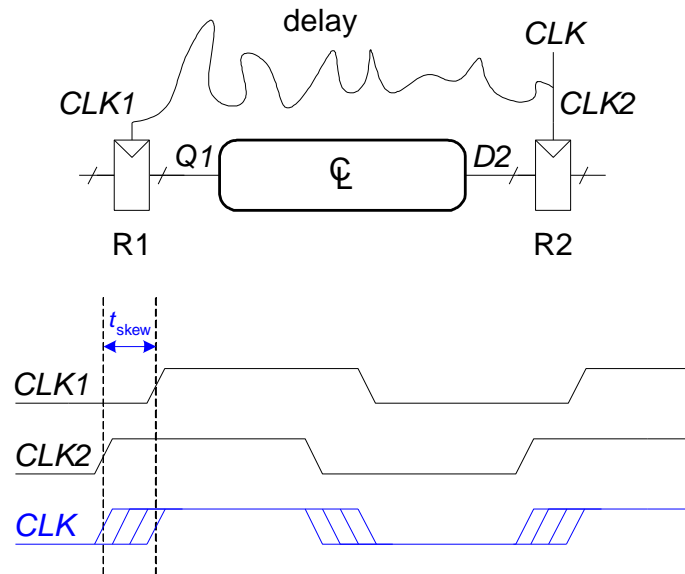
$$\left[\begin{array}{l} t_{pd} = 35 \text{ ps} \\ t_{cd} = 25 \text{ ps} \end{array} \right.$$

Chapter 3: Sequential Logic

Clock Skew

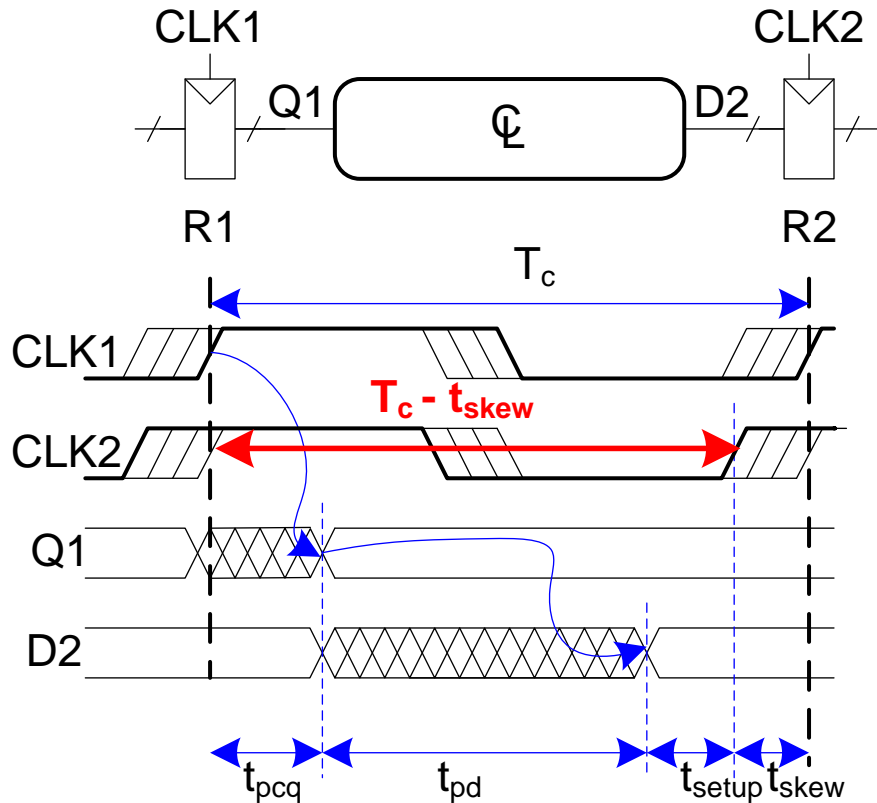
Clock Skew

- The clock doesn't arrive at all registers at same time
- **Skew**: difference between two clock edges
- Perform **worst case analysis** to guarantee dynamic discipline is not violated for any register – many registers in a system!



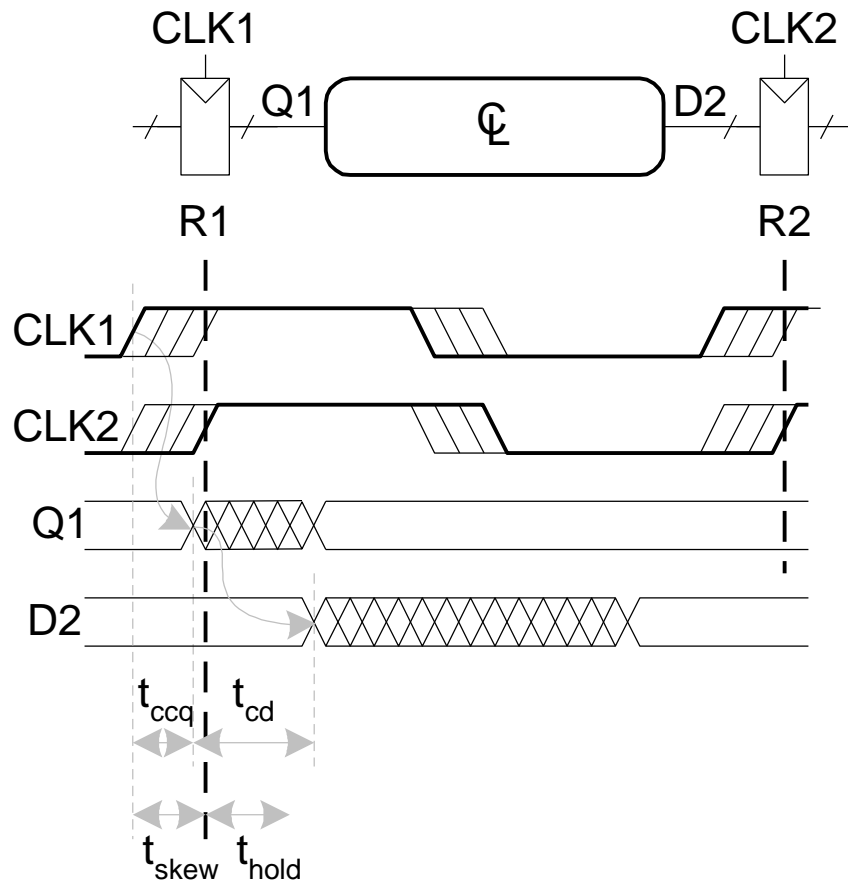
Setup Time Constraint with Skew

- In the worst case, CLK2 is earlier than CLK1



Hold Time Constraint with Skew

- In the worst case, CLK2 is later than CLK1

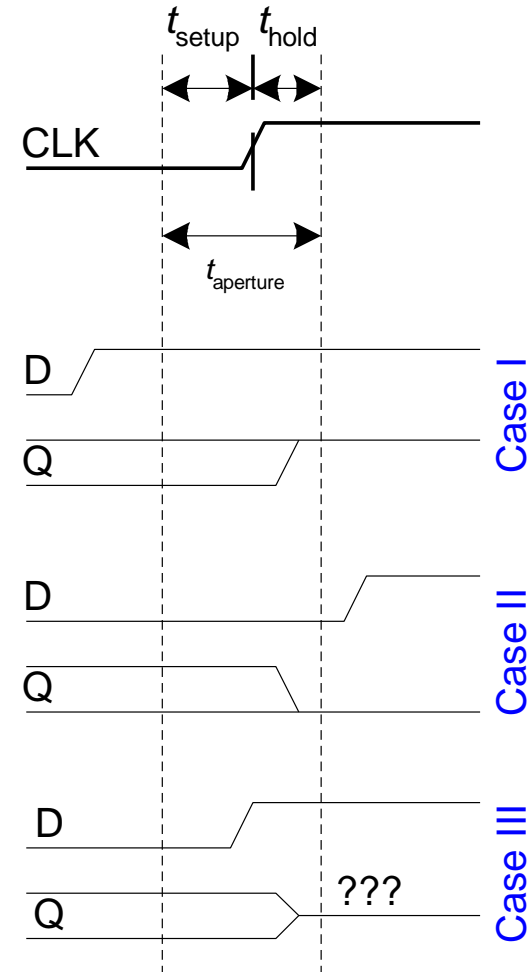
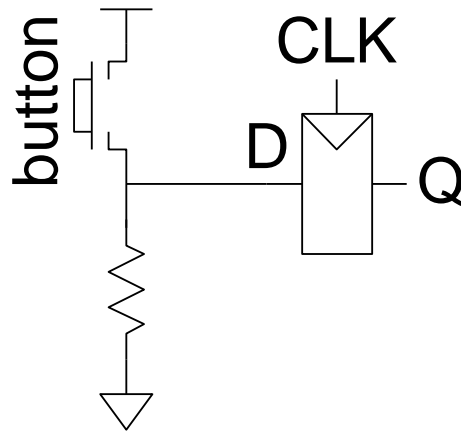


Chapter 3: Sequential Logic

Synchronization

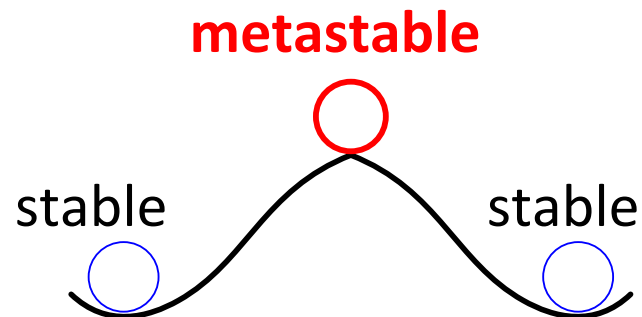
Violating the Dynamic Discipline

Asynchronous (for example, user) **inputs** might violate the dynamic discipline



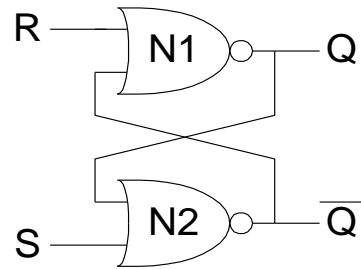
Metastability

- **Bistable devices:** two stable states, and a metastable state between them
- **Flip-flop:** two stable states (1 and 0) and one metastable state
- If flip-flop lands in metastable state, could stay there for an undetermined amount of time



Flip-Flop Internals

- Flip-flop has **feedback**: if Q is somewhere between 1 and 0, cross-coupled gates drive output to either rail (1 or 0)



- **Metastable signal**: if it hasn't resolved to 1 or 0
- If flip-flop input changes at random time, **probability that output Q is metastable** after waiting some time, t :

$$P(t_{\text{res}} > t) = (T_0/T_c) e^{-t/\tau}$$

t_{res} : time to resolve to 1 or 0

T_0, τ : properties of the circuit

Metastability

- **Intuitively:**

T_0/T_c : probability input changes at a bad time (during aperture time)

$$P(t_{\text{res}} > t) = (T_0/T_c) e^{-t/\tau}$$

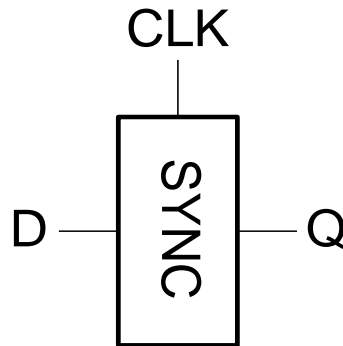
τ : time constant for how fast flip-flop moves away from metastability

$$P(t_{\text{res}} > t) = (T_0/T_c) e^{-t/\tau}$$

- If flip-flop samples metastable input, if you wait long enough (t), the output will have resolved to 1 or 0 with high probability.

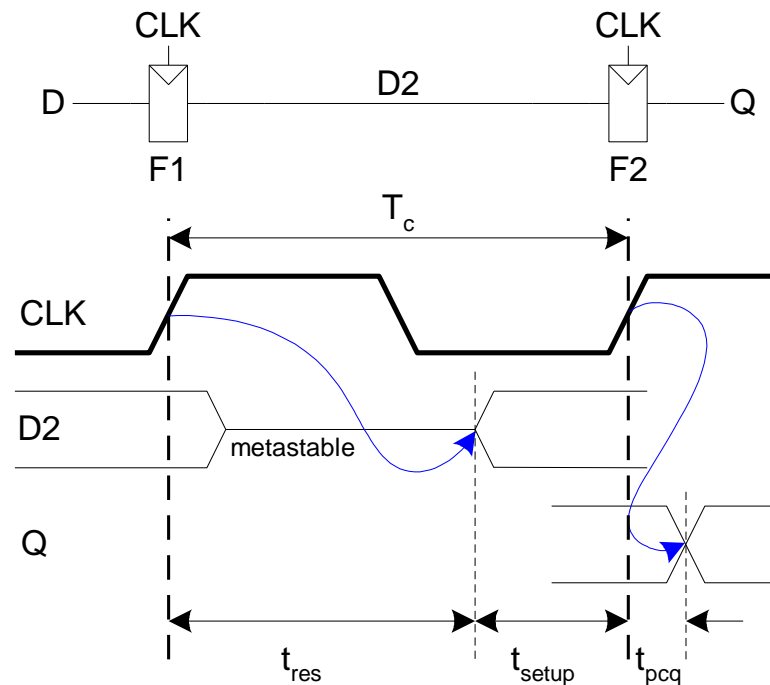
Synchronizers

- **Asynchronous inputs are inevitable** (user interfaces, systems with different clocks interacting, etc.)
- **Synchronizer goal:** make the **probability of failure** (the output Q still being metastable) **low**
- Synchronizer cannot make the probability of failure 0



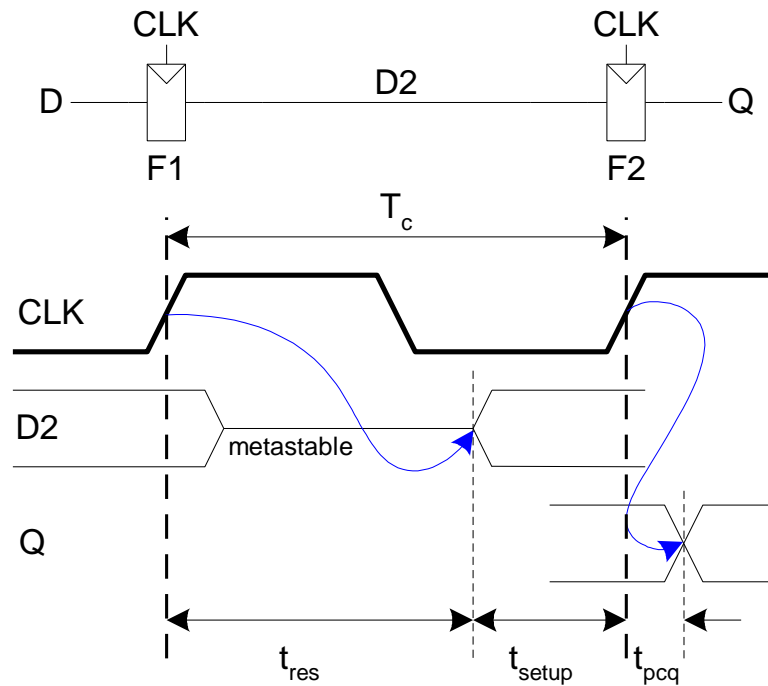
Synchronizer Internals

- **Synchronizer:** built with two back-to-back flip-flops
- Suppose D is transitioning when sampled by F1
- Internal signal D2 has $(T_c - t_{\text{setup}})$ time to resolve to 1 or 0



Synchronizer Internals

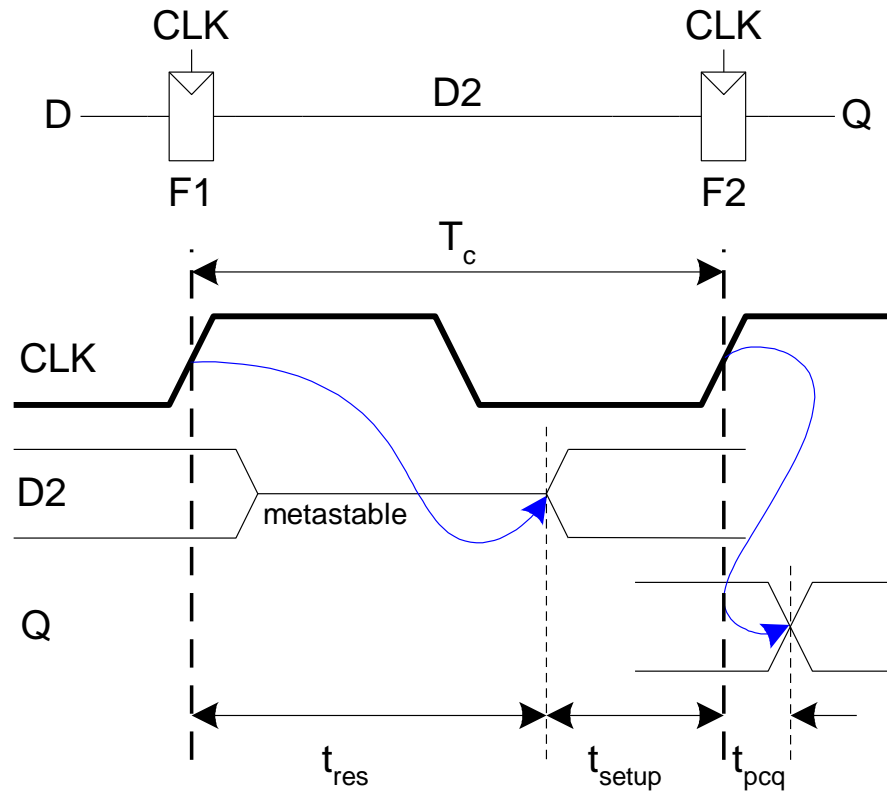
- **Synchronizer:** built with two back-to-back flip-flops
- Suppose D is transitioning when sampled by F1
- Internal signal D2 has $(T_c - t_{\text{setup}})$ time to resolve to 1 or 0



Synchronizer Probability of Failure

For each sample, probability of failure is:

$$P(\text{failure}) = (T_0/T_c) e^{-(T_c - t_{\text{setup}})/\tau}$$



Synchronizer Mean Time Between Failure

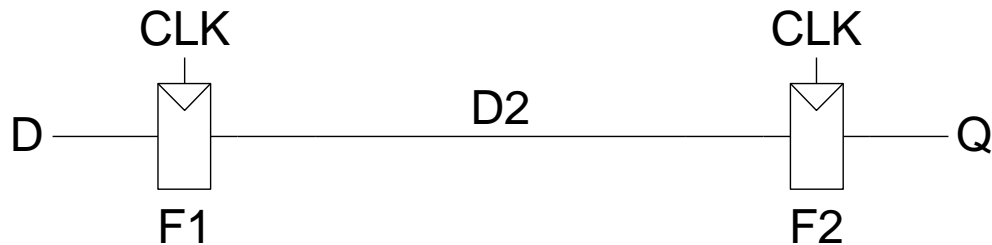
- If asynchronous input changes once per second, probability of failure per second is $P(\text{failure})$.
- If input changes N times per second, probability of failure per second is:

$$P(\text{failure})/\text{second} = (NT_0/T_c) e^{-(T_c - t_{\text{setup}})/\tau}$$

- Synchronizer fails, on average, $1/[P(\text{failure})/\text{second}]$
- Called *mean time between failures*, MTBF:

$$\text{MTBF} = 1/[P(\text{failure})/\text{second}] = (T_c/NT_0) e^{(T_c - t_{\text{setup}})/\tau}$$

Example Synchronizer



- **Suppose:**
 $T_c = 1/500 \text{ MHz} = 2 \text{ ns}$
 $T_0 = 150 \text{ ps}$
 $N = 10 \text{ events per second}$
 $\tau = 200 \text{ ps}$
 $t_{\text{setup}} = 100 \text{ ps}$
- What is the **probability of failure? MTBF?**

Chapter 3: Sequential Logic

Parallelism

Parallelism

- **Two types of parallelism:**
 - Spatial parallelism
 - Temporal parallelism

Parallelism

- **Token:** Group of inputs processed to produce group of outputs
- **Latency:** Time for one token to pass from start to end
- **Throughput:** Number of tokens produced per unit time

Parallelism increases throughput

Parallelism Example

- Ben Bitdiddle bakes cookies to celebrate traffic light controller installation
 - **5 minutes** to roll cookies
 - **15 minutes** to bake
- What is the **latency** and **throughput** without parallelism?

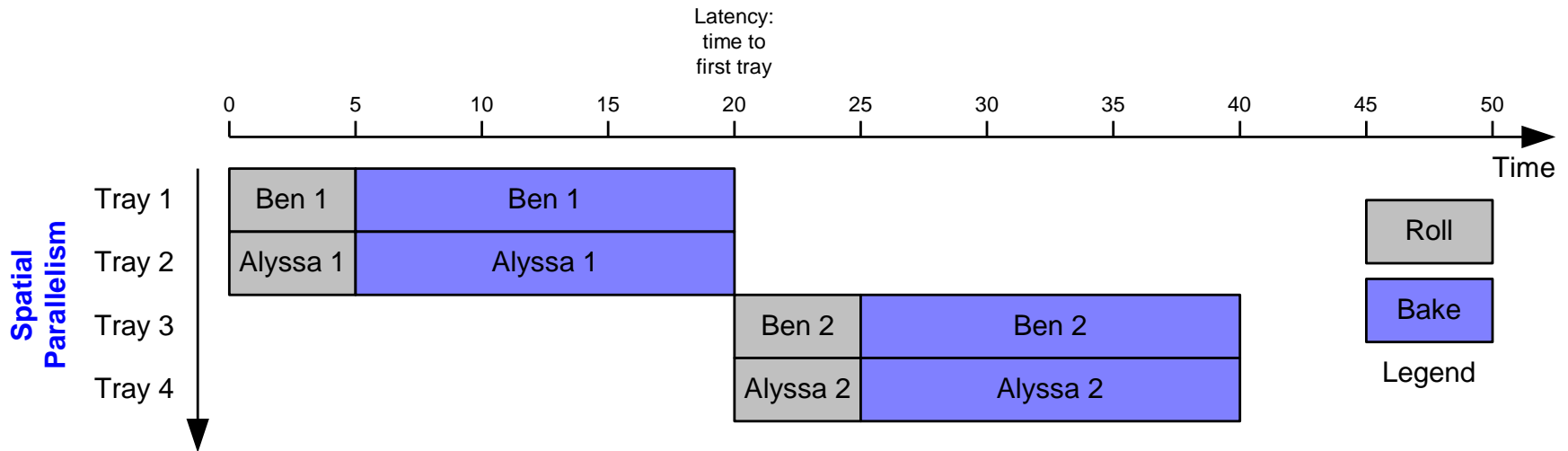
Latency =

Throughput =

Parallelism Example

- What is the latency and throughput if Ben uses parallelism?
 - **Spatial parallelism:** Ben asks Allysa P. Hacker to help, using her own oven
 - **Temporal parallelism:**
 - **two stages:** rolling and baking
 - He uses two trays
 - While first batch is baking, he rolls the second batch, etc.

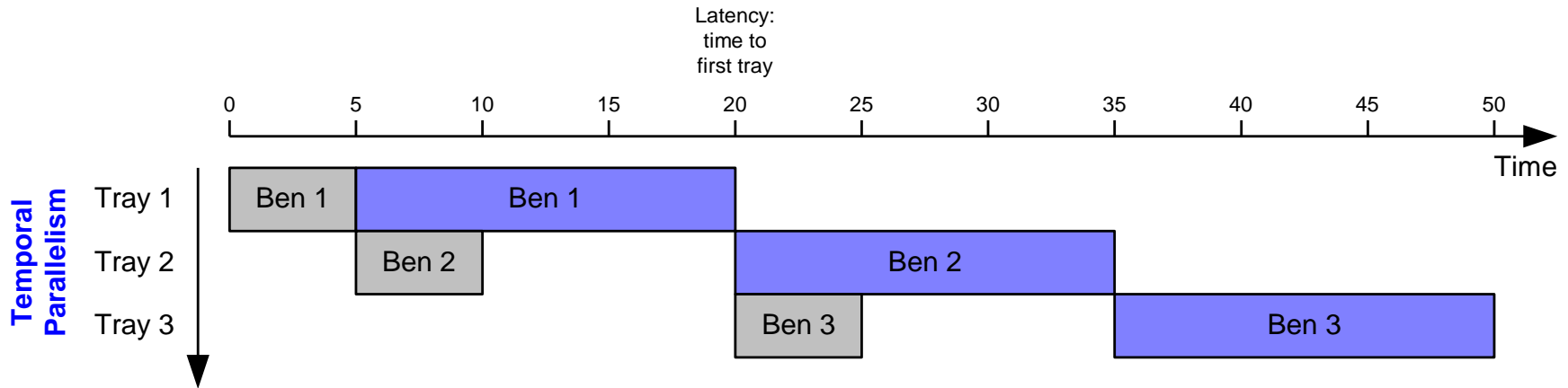
Spatial Parallelism



Latency =

Throughput =

Temporal Parallelism



Latency =

Throughput =

About these Notes

Digital Design and Computer Architecture Lecture Notes

© 2021 Sarah Harris and David Harris

These notes may be used and modified for educational and/or non-commercial purposes so long as the source is attributed.