

6

5

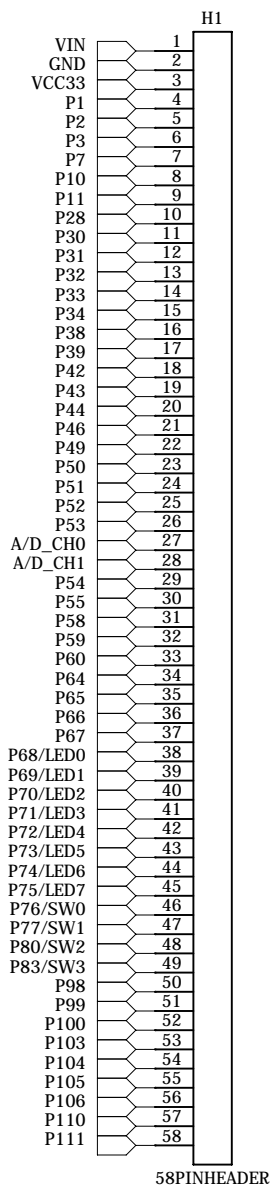
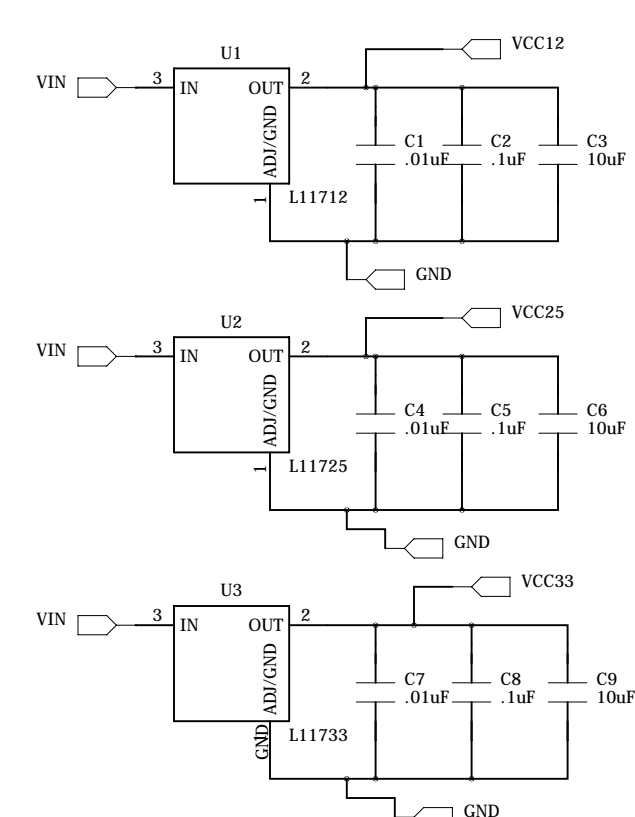
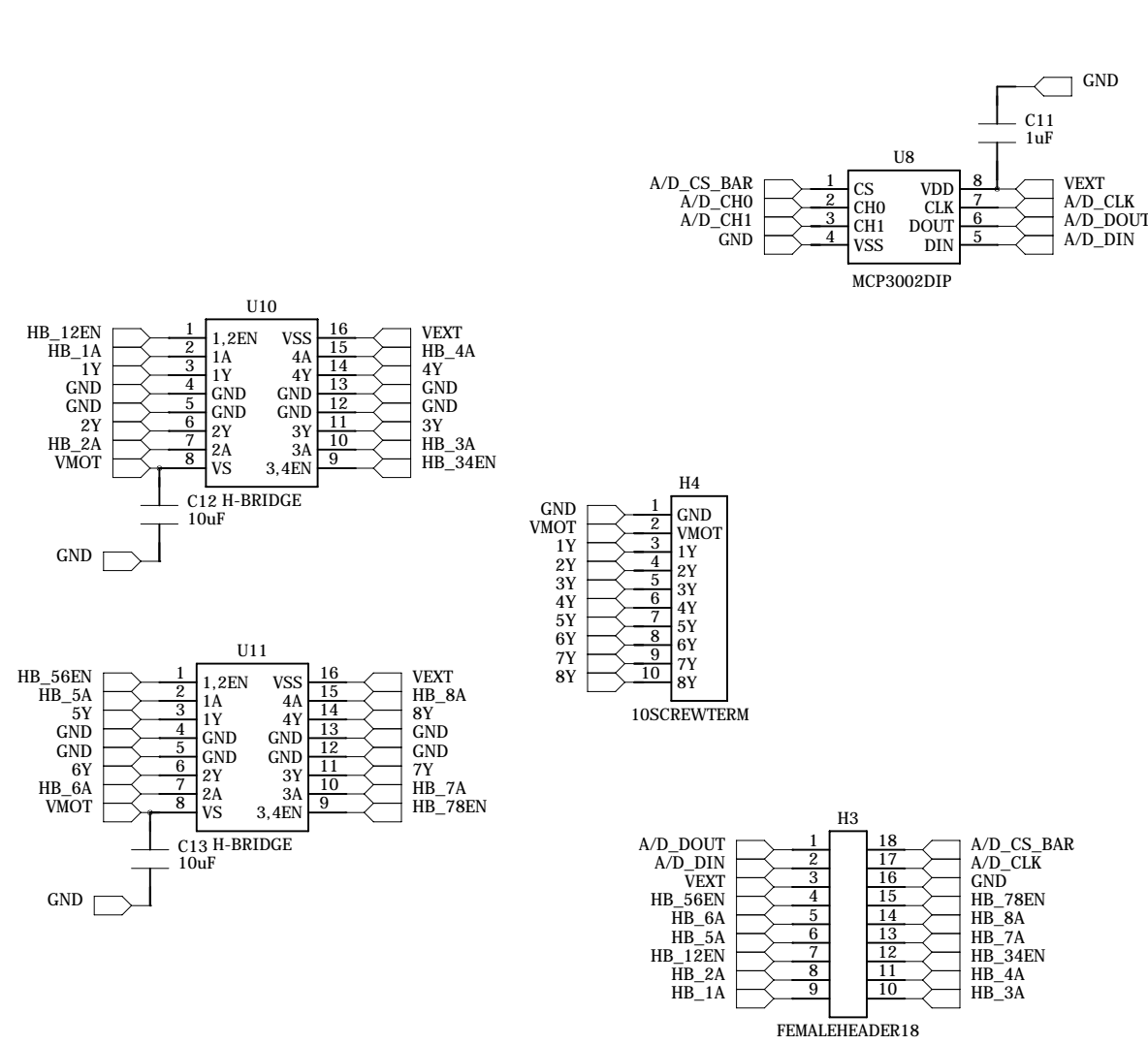
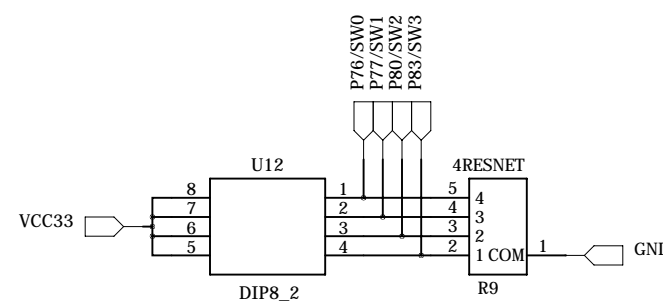
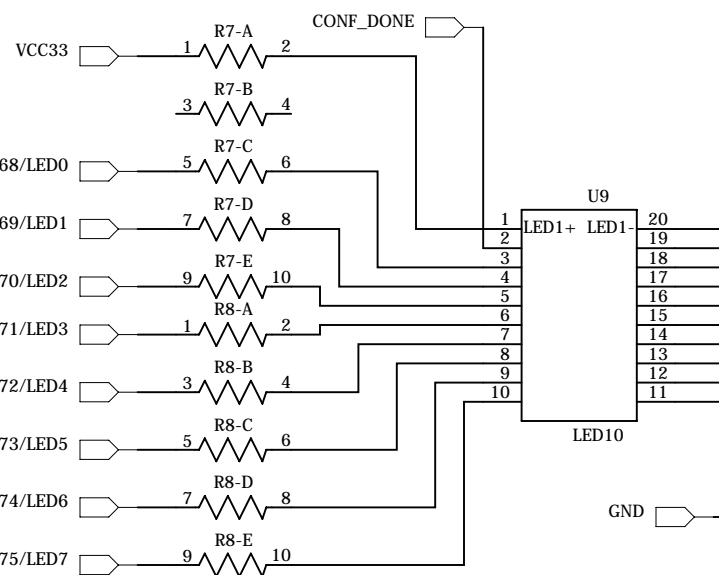
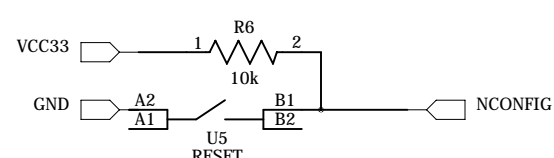
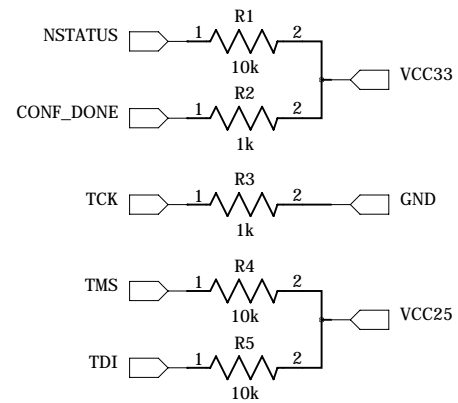
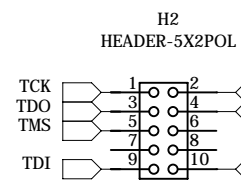
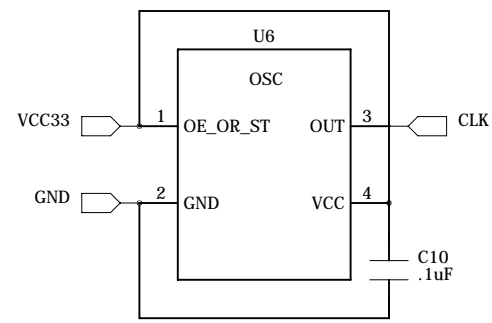
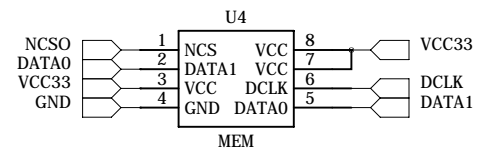
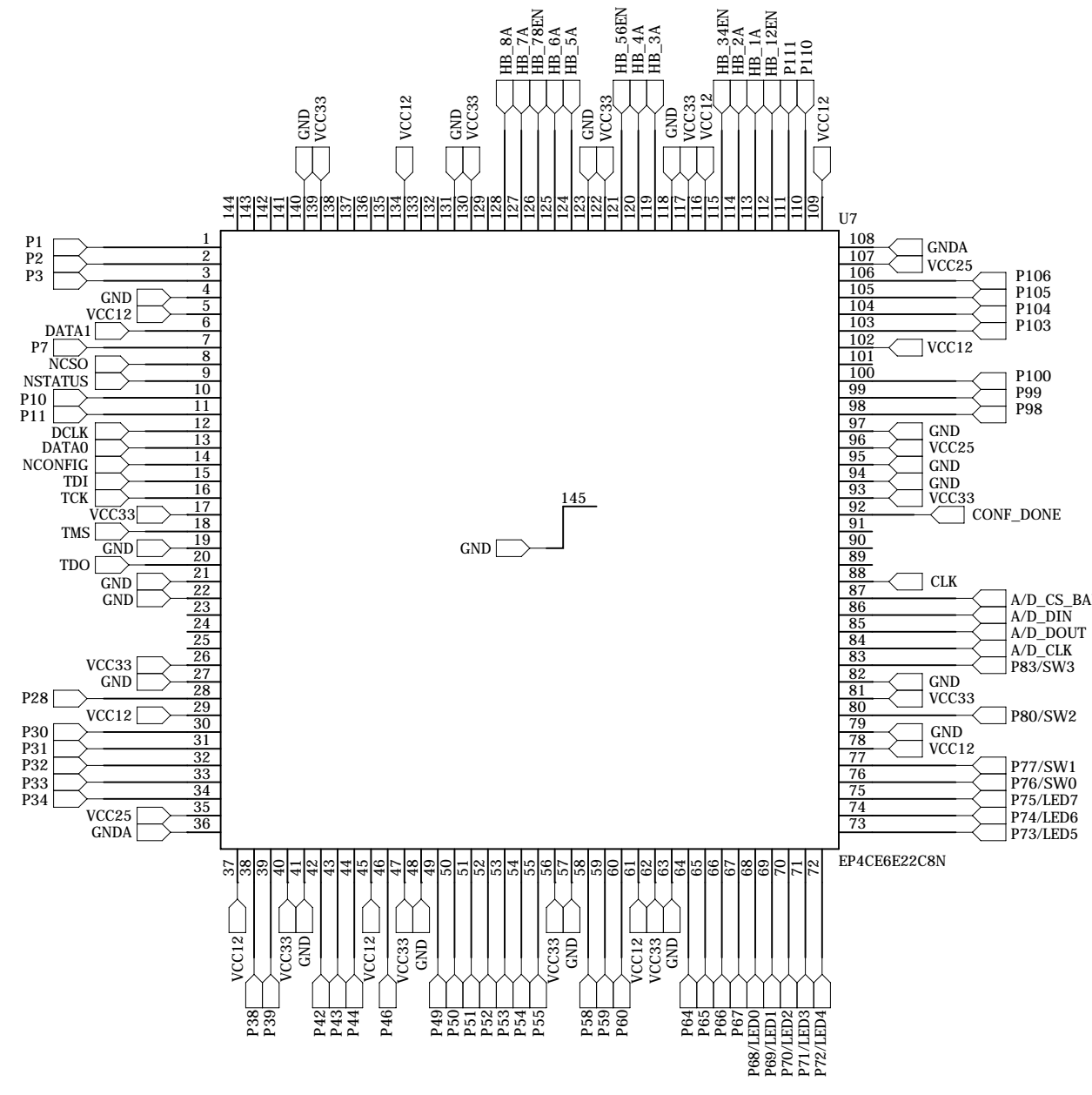
4

3

2

1

REVISION RECORD			
LTR	ECO NO:	APPROVED:	DATE:



COMPANY: HMC Engineering			
TITLE: MuddPi Mark IV			
DRAWN: A. Alves, G. Khadge	DATED: 11/26/14	CODE:	SIZE:
CHECKED:	DATED:	DRAWING NO:	REV: 4
QUALITY CONTROL:	DATED:	SCALE:	
RELEASED:	DATED:	SHEET: 1 of 1	

D

C

B

A

D

C

B

A