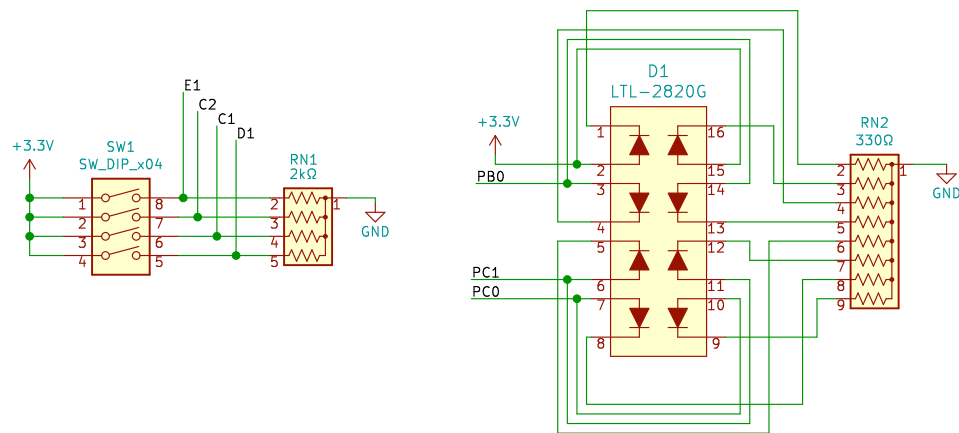
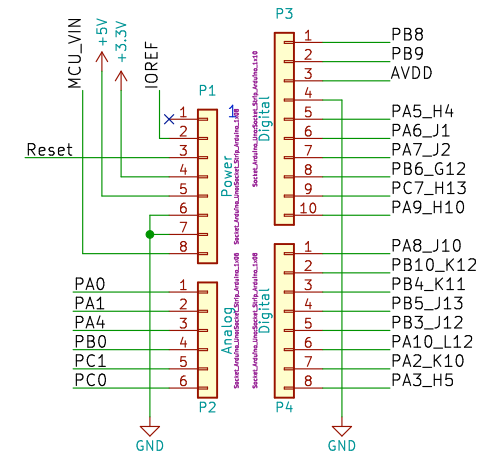


Shield for Arduino that uses the same pin disposition like "Uno" board Rev 3.



Author: Joshua Brake  
 Harvey Mudd College

Sheet: /  
 File: MicroPs\_MAX1000\_Shield.sch

**Title: μMudd Mark VI MAX1000 Shield**

Size: A4 Date: 2021-07-22  
 KiCad E.D.A. eeschema (5.1.10-1-10\_14)

Rev: v2  
 Id: 1/1