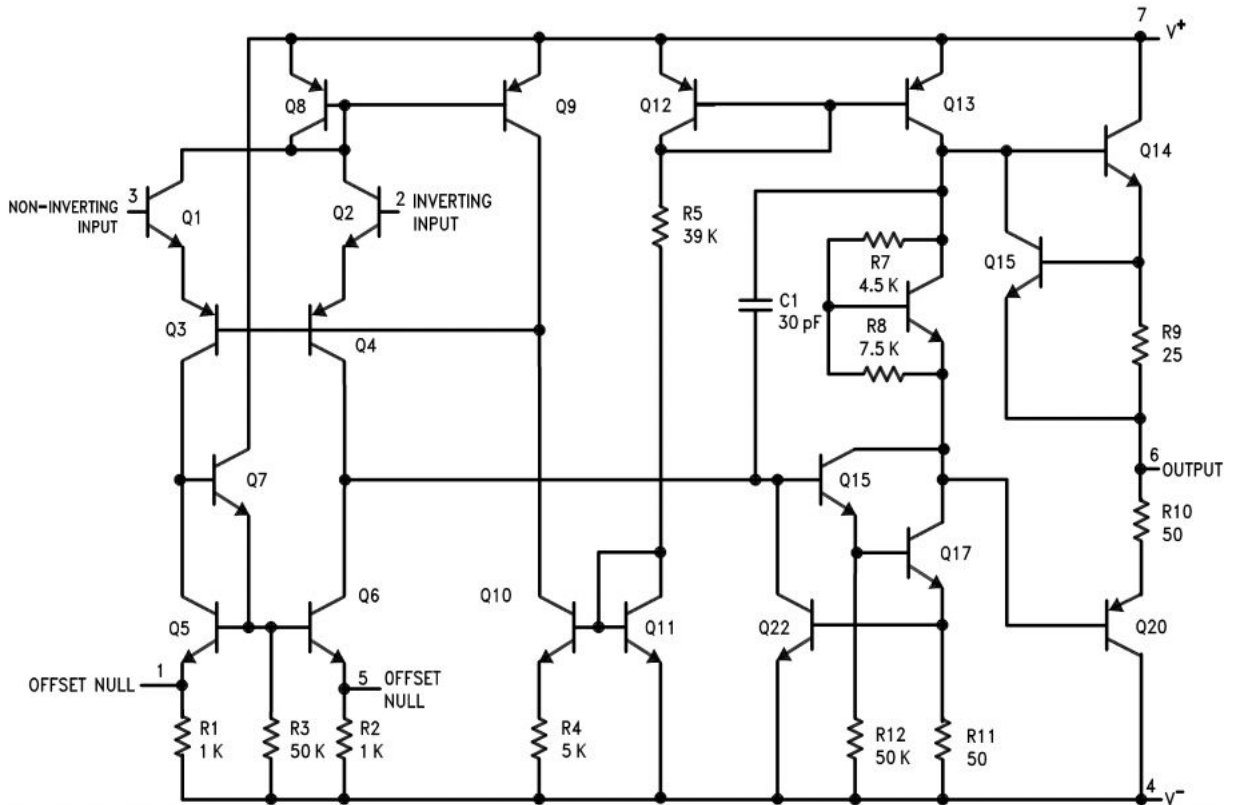


Lecture 26 -- Review

What are the topics we've covered this semester? Since the last exam?

On this LM741 operational amplifier schematic: identify the inverting and non-inverting input, convince yourself your identification is true and label the bias network, the input stage, the gain stage, the compensation capacitor and the output stage.



How do we derive the output impedance of a mirror loaded emitter coupled pair? The gain?

What condition needs to be met for an oscillator to oscillate in -ve feedback? Positive?

How do you determine frequency of oscillation in an oscillator