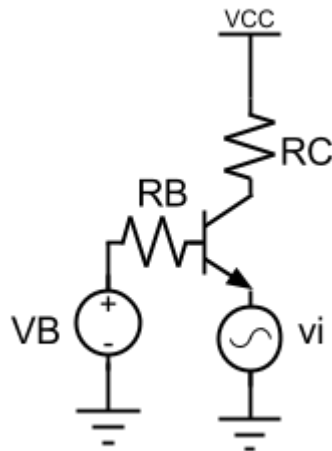


Lectures 10&11, Common base amplifiers, introduction to MOSFETs
 E151/3 F17 – Matthew Spencer



1. Find the A_v and R_{in} of a common base amplifier with a series base resistance as pictured above.
2. Find the I_d - V_{ds} relationship parametrized in V_b of:
 - (a) Two identical MOSFETs parallel as shown below
 - (b) Two identical MOSFETs in series as shown below

