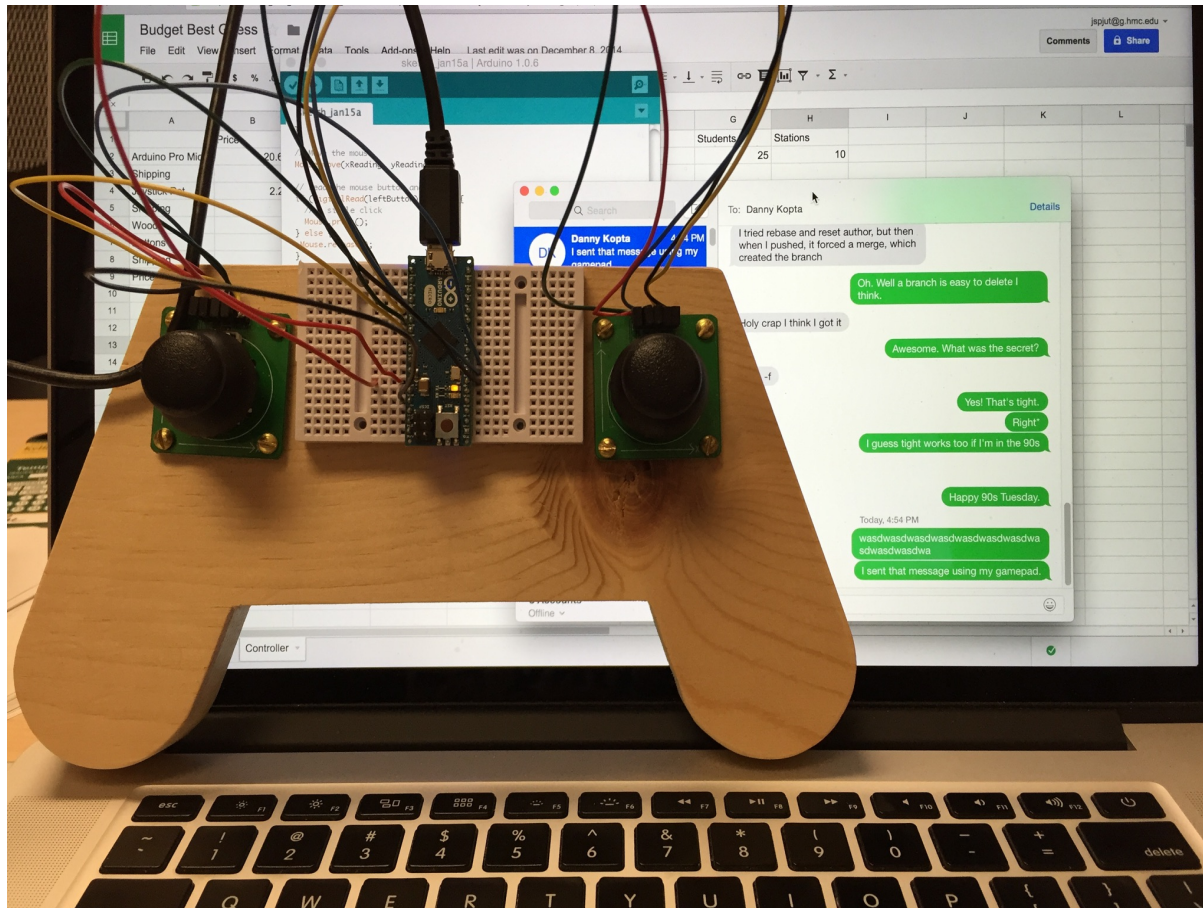


Welcome

E190U

E190U: VIDEO GAME CONSOLE DESIGN

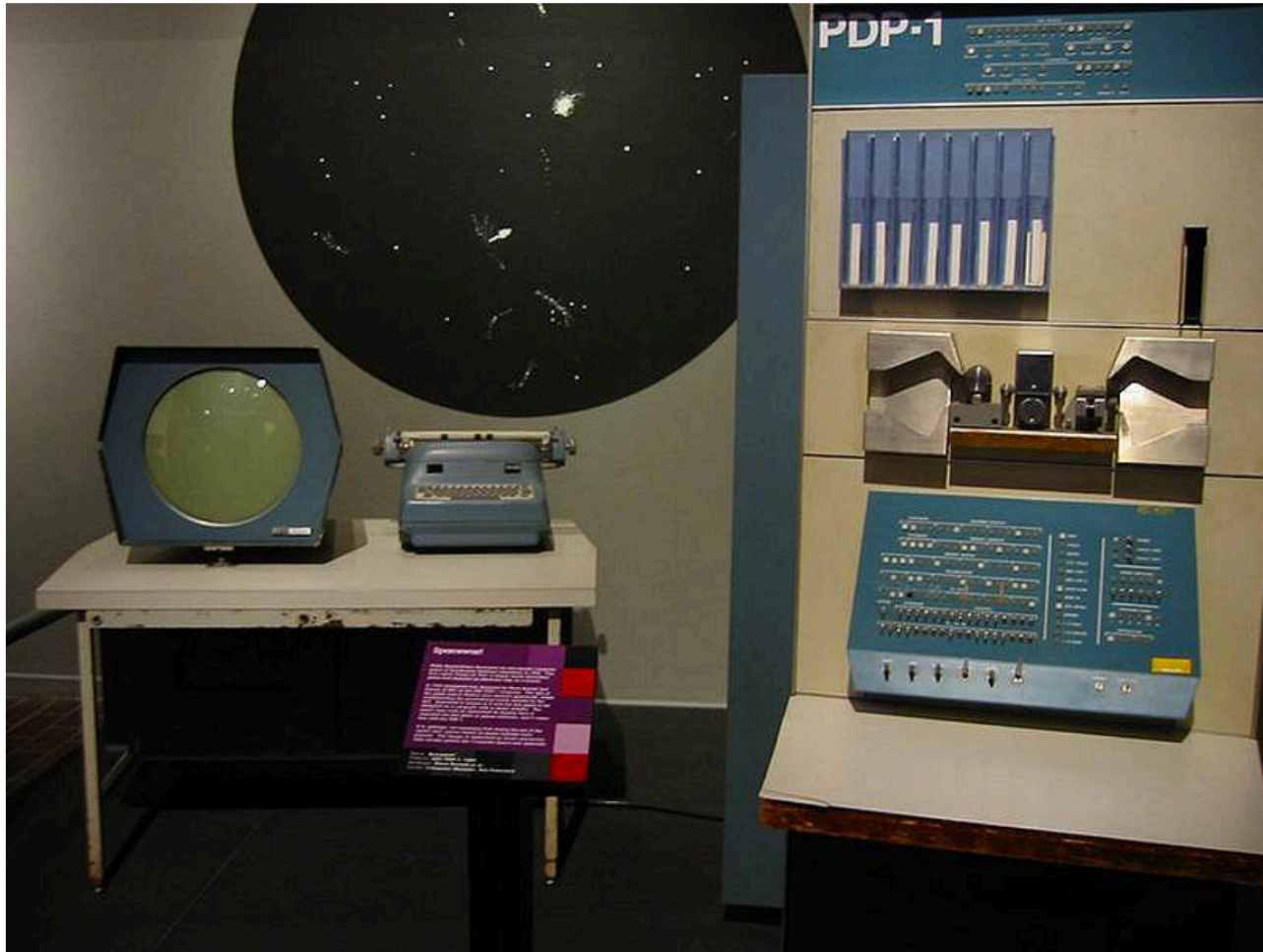
Goal



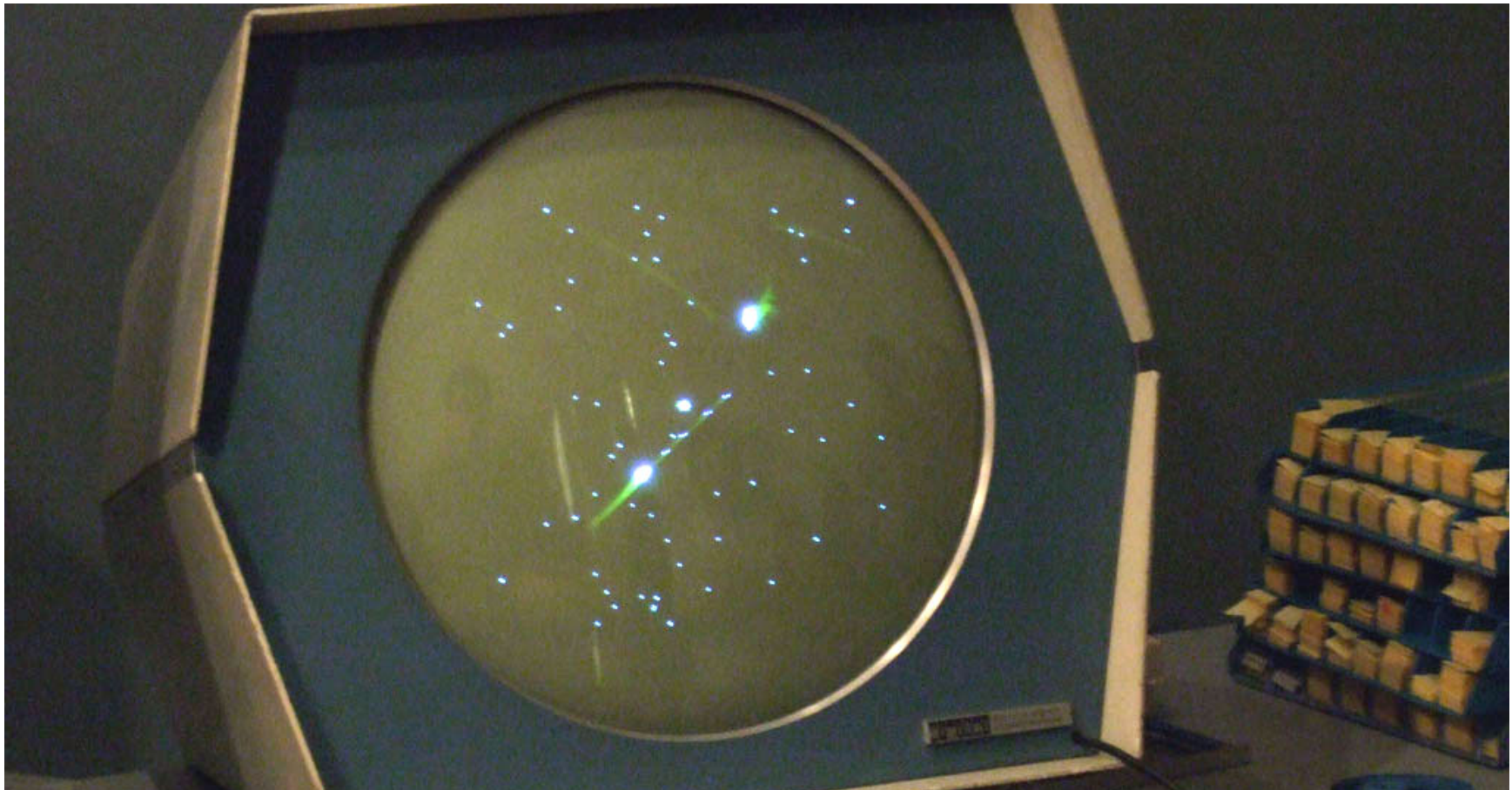
History Sources

- [Good source](#): William Lu
- Images: wikimedia Commons
- About 50 years of history: 1960-2015

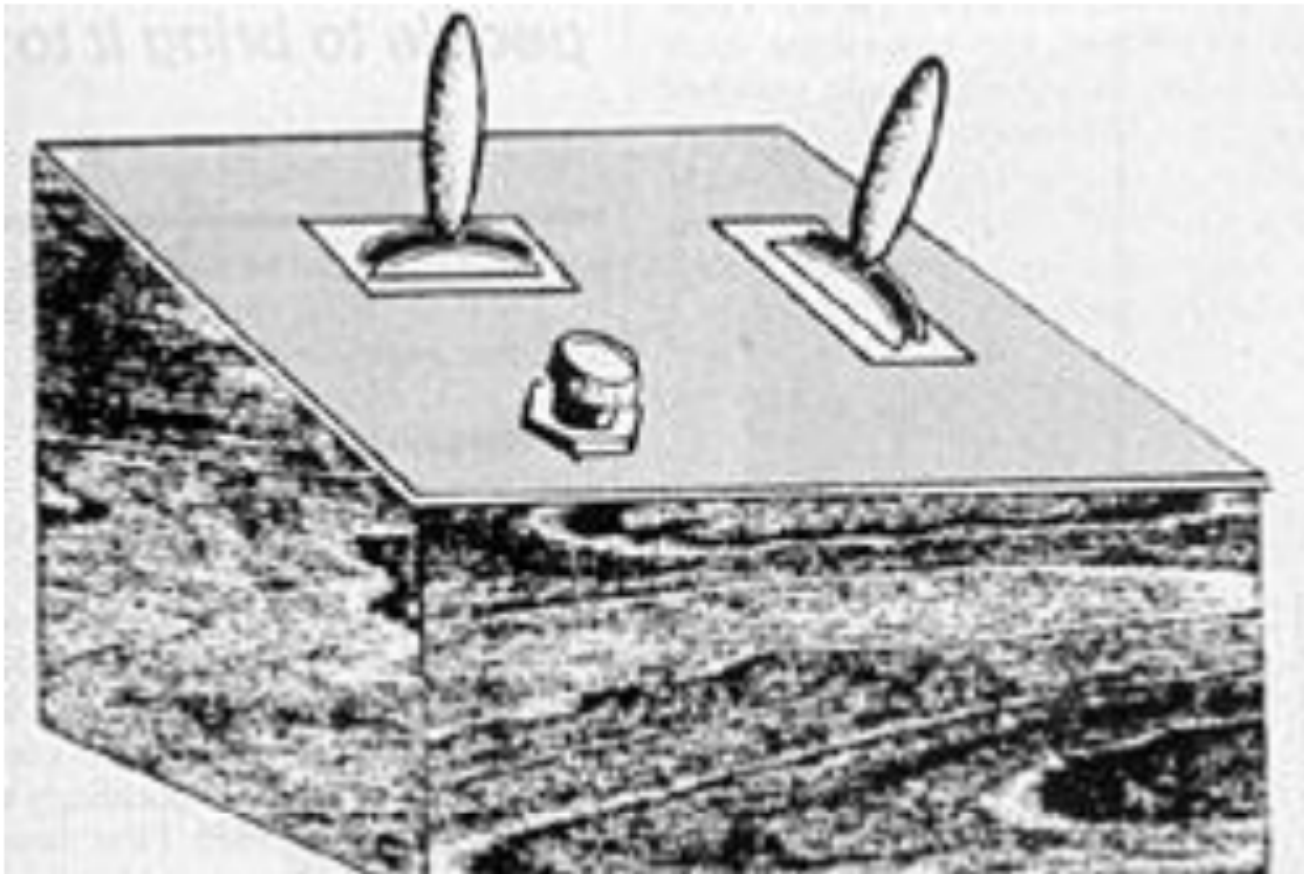
Spacewar (1961)



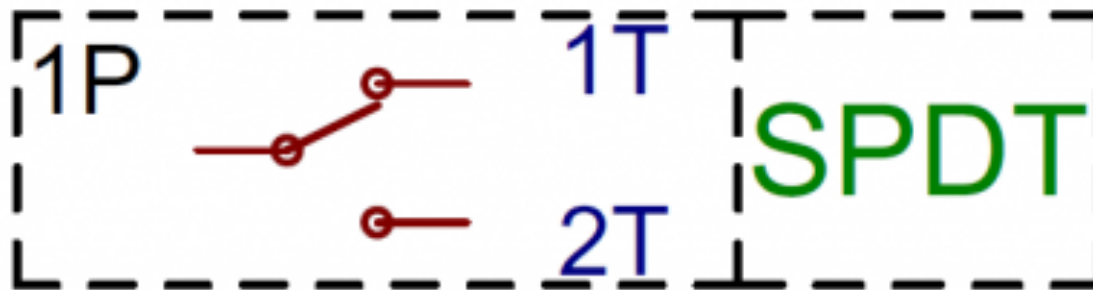
Spacewar



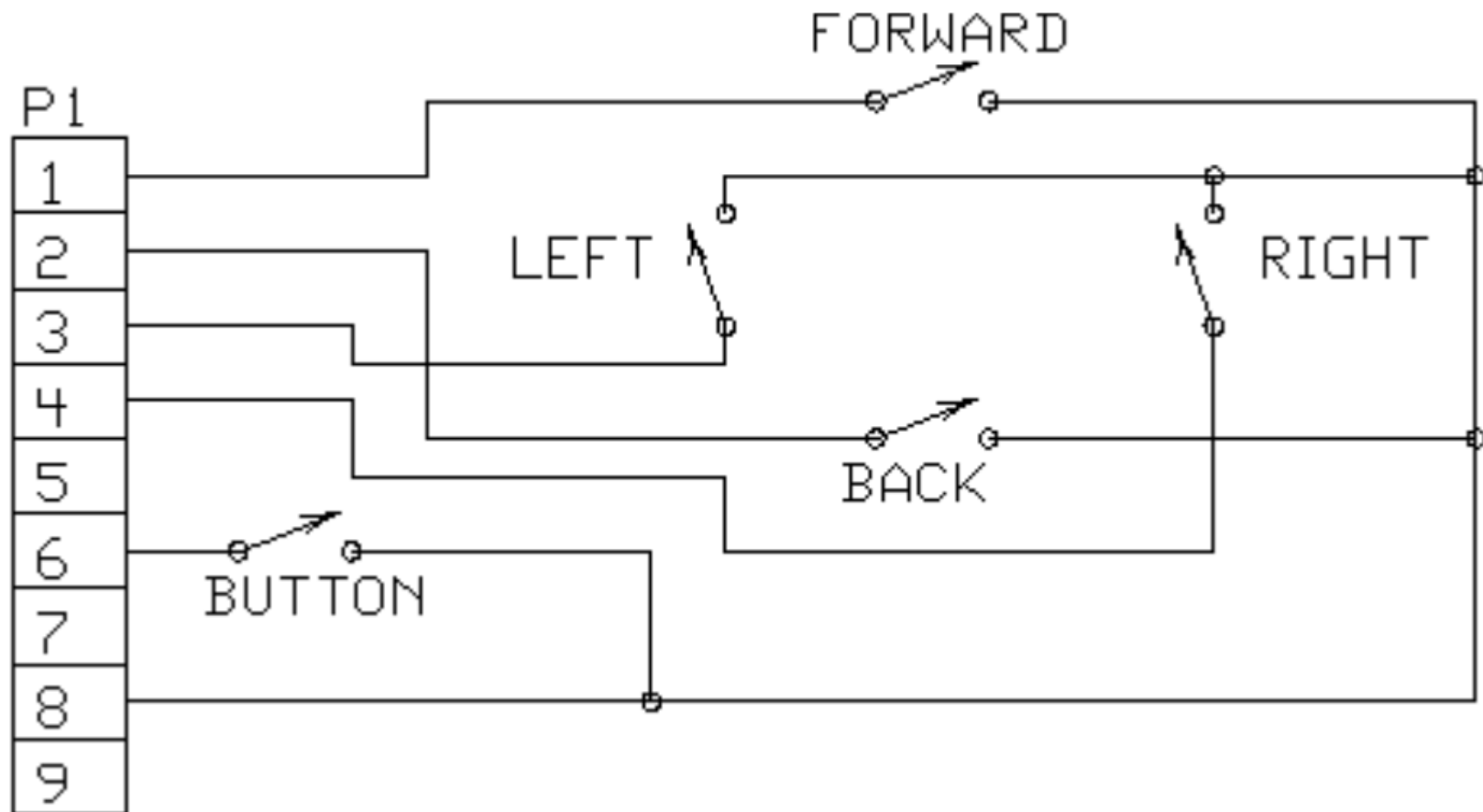
Spacewar



Double Throw Switch



Joystick



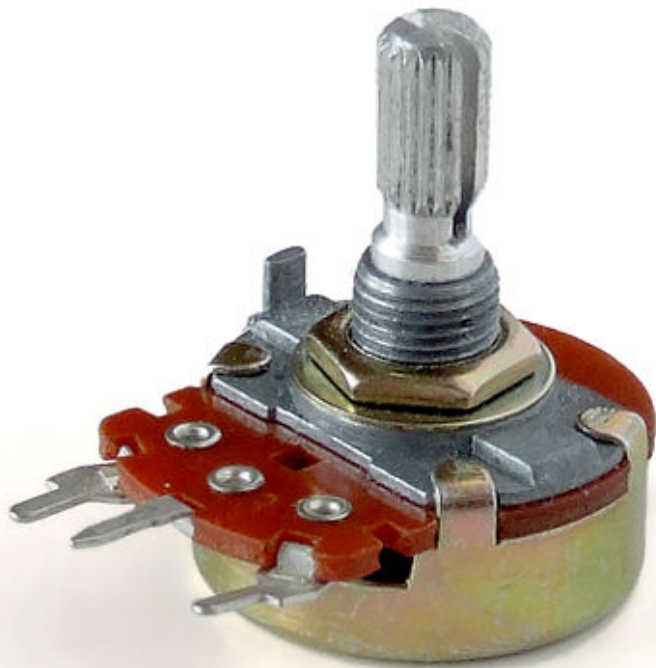
Pong (1958)



Pong Paddle



Potentiometer



Fairchild Channel F (1976)



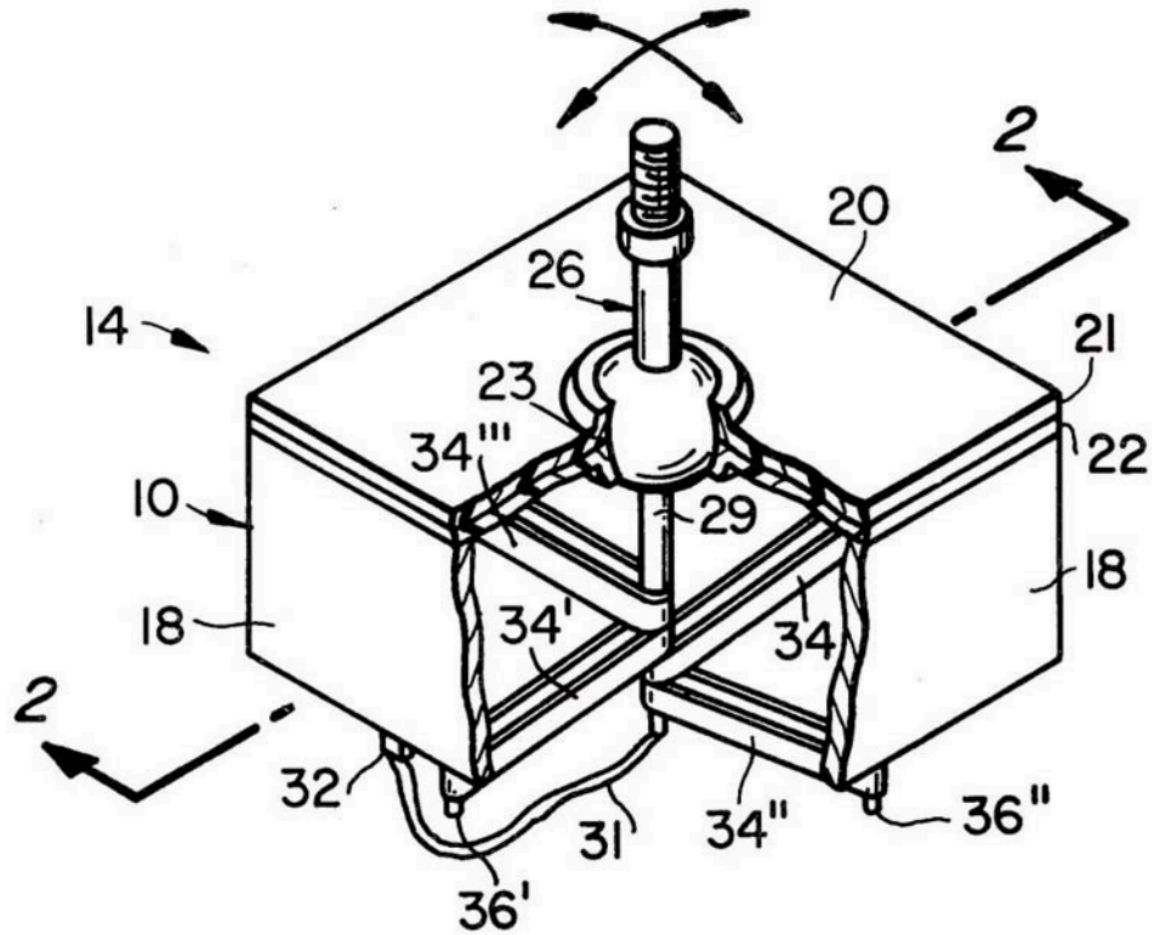
Atari 2600 (1977)



Atari 2600 Joystick



Joystick Patent



Atari 2600 Paddle



Game and Watch (1980)



Direction Pad



Famicom (1983)



NES (1985)



Sega Genesis (1988)



Super Famicom (1990)



Sega Saturn (1994)



Playstation (1994)



Nintendo 64 (1996)



Dual Shock (1997)



Now quickly through the rest

- We covered through the 5th console generation so far
- Nothing super significant since the 90s

SIXTH GENERATION

Dreamcast (1998)



Dreamcast Controller



Playstation 2 (2000)



Dual Shock 2



Gamecube (2001)



Gamecube Controller



XBOX (2001)



XBOX Controller



SEVENTH GENERATION

XBOX 360 (2005)



XBOX 360 Controller



Playstation 3 (2006)



Playstation 3 Controller



Nintendo Wii (2006)



Wii Remote



Wii Controller



EIGHTH GENERATION

Wii U (2012)



Playstation 4 (2013)



XBOX ONE (2013)



Okay I lied

- Touch controls
- Resistive touch (DS, 3DS, 2DS, Wii U)
- Capacitive touch (PS4, Vita, Smart Phones)
- Motion controls (we'll talk about this later)