

# **Digital Design and Computer Architecture (E85)**

J. Spjut

## **Problem Set 8**

### **1) Textbook Problems**

Do problems 7.13-c,d, 7.19, 7.23. For Exercise 7.19 use the instruction mix from Example 7.7.

### **4) Time**

Please indicate how many hours you spent on this problem set. This will not affect your grade (unless completely omitted), but will be helpful for calibrating the workload for next semester's class.

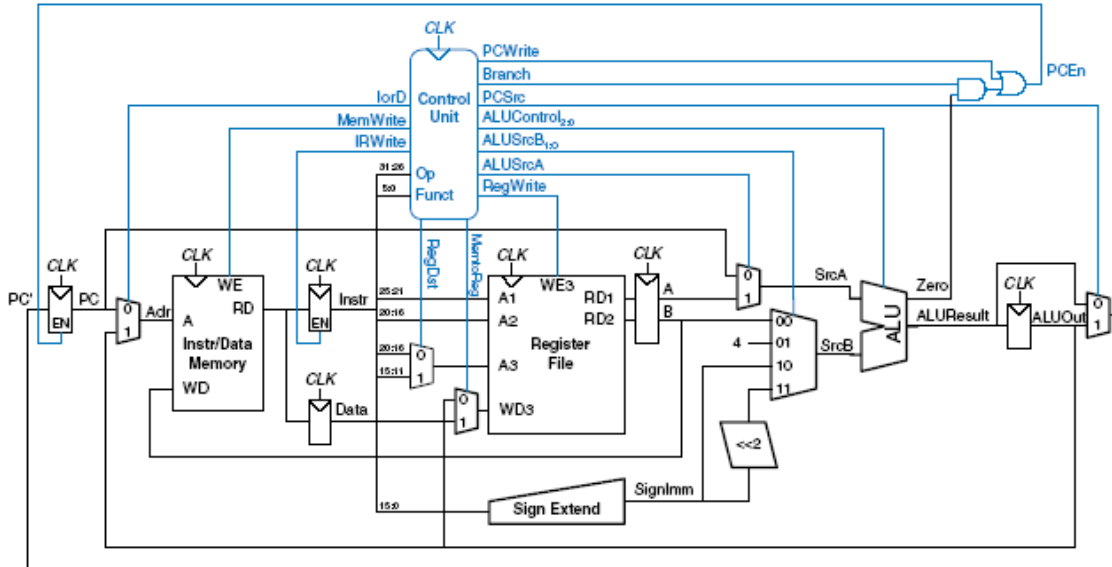


Figure 7.27 Complete multicycle MIPS processor

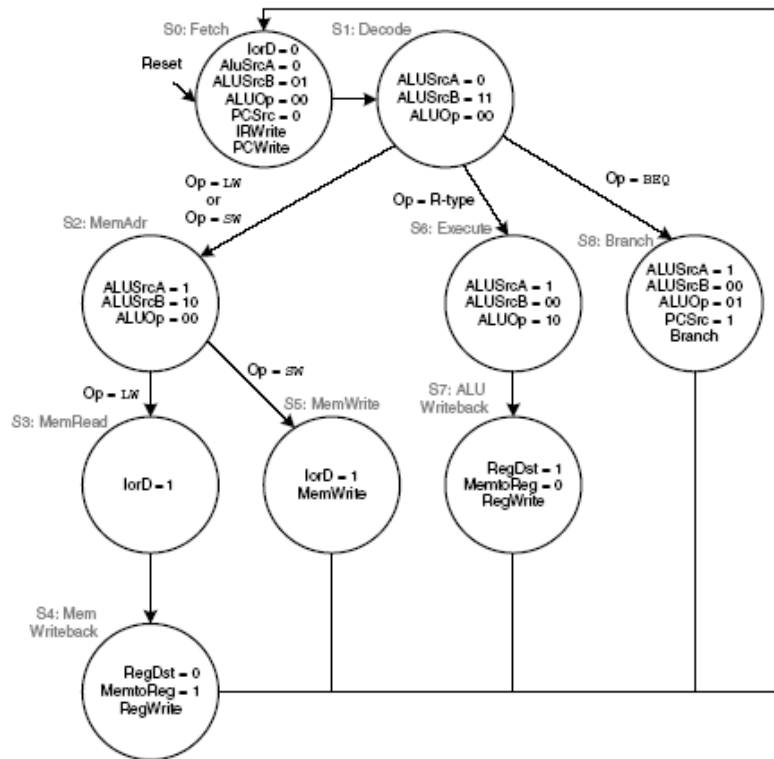


Figure 7.39 Complete multicycle control FSM

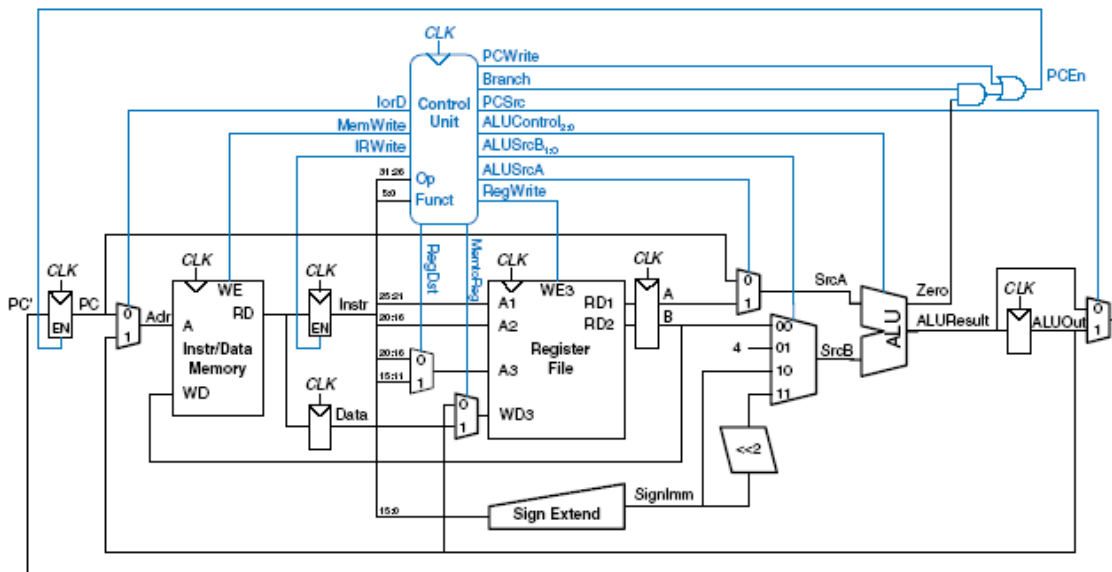


Figure 7.27 Complete multicycle MIPS processor

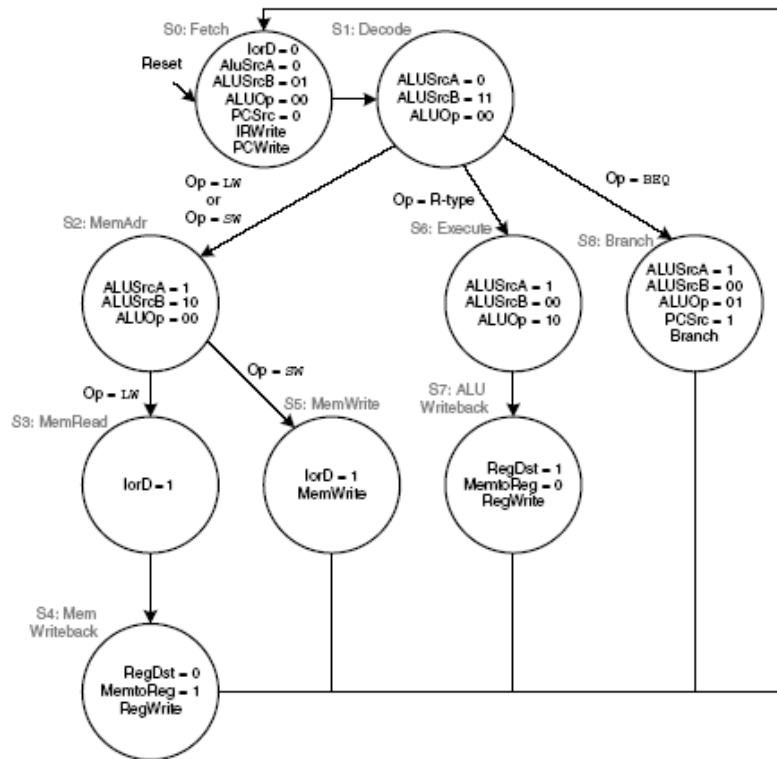


Figure 7.39 Complete multicycle control FSM